

Agilent Microplate Dimension Guide

Reference Guide



Contents

Storage/Assay/Collection Plates	3
Storage/Assay/Collection Microplates Overview	3
24-well Polypropylene Microplates	4
48-well Polypropylene Microplates	6
96-well Polypropylene Microplates	8
384-well Polypropylene Microplates	13
Cell Culture & Imaging Plates	15
Cell Culture & Imaging Microplates Overview	15
96-well Polystyrene Microplates	16
384-well Polystyrene Microplates	17
Reservoirs	18
Reservoir Microplates Overview	18
Single Cavity Polypropylene Microplates	19
2-Cavity Polypropylene Microplates	26
3-Cavity Polypropylene Microplates	27
4-Cavity Polypropylene Microplates	29
6-Cavity (Columns) Polypropylene Microplates	32
8-Cavity (Rows) Polypropylene Microplates	33
12-Cavity (Columns) Polypropylene Microplates	34
16-Cavity (Rows) Polypropylene Microplates	36
24-Cavity Polypropylene Microplates	37

Storage/Assay/Collection Plates

Storage/Assay/Collection Microplates Overview

Agilent supplies collection and storage assay microplates for a wide range of reaction chemistries, biological assays, low storage temperatures, and filtrate collection applications. These microplates are molded with medical-grade, chemical-resistant polymers and are available in 24-, 48-, 96-, or 384-well configurations of variable volumes. Agilent also supplies mat seals and lids for these microplates.



Table 1 Microplate design options

Characteristic	Available options
Well number	24, 48, 96, 384
Well shape	Square, Round, Rectangle
Well volume (mL)	0.058, 0.2, 0.5, 0.7, 1, 1.1, 2, 4.8, 5, 7.5, 10
Additional features	Irradiated

24-well Polypropylene Microplates

4R/6C Square Well Shape, Pyramidal Bottom, 10 mL/well

mm

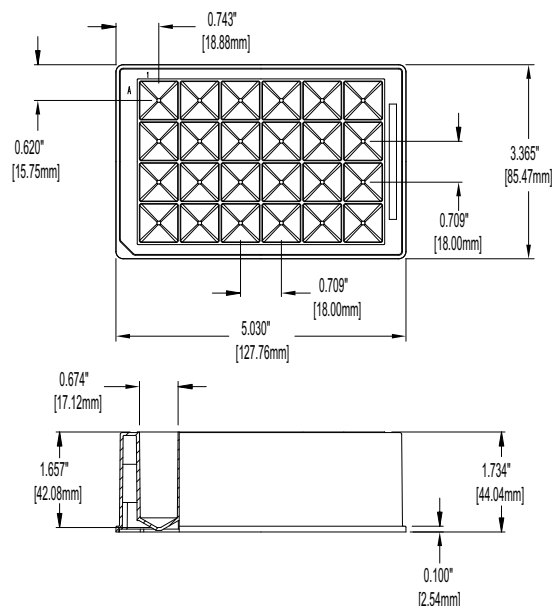


Plate dimension:	127.76 x 85.47
A1 row offset:	15.75
A1 column offset:	18.88
Well spacing:	18.00/18.00
Well top dimensions (length/width):	17.12/17.12
Plate height:	44.04
Well max depth:	42.08
Skirt height:	2.54

Part Number	Description	Suggested seal	Qty/Case
201272-100	24-well, polypropylene, 10 mL/square well, pyramid bottoms, 44 mm height	201164-100	25
204752-100	24-well, polypropylene, 10 mL/square well, pyramid bottoms, 44 mm height, sample pack of 201272-100	201164-100	5
204023-100	24-well, polypropylene, 10 mL/square well, pyramid bottoms, 44 mm height, irradiated	202497-100	25

Storage/Assay/Collection Plates
24-well Polypropylene Microplates

4R/6C Square Well Shape, Spherical Bottom, 10 mL/well

mm

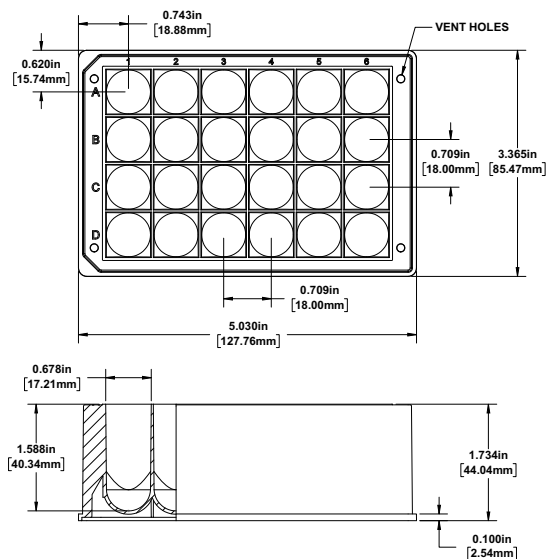


Plate dimension:	127.76 x 85.47
A1 row offset:	15.75
A1 column offset:	18.88
Well spacing:	18.00/18.00
Well top dimensions (length/width):	17.21/17.21
Plate height:	44.04
Well max depth:	40.34
Skirt height:	2.54

Part Number	Description	Suggested seal	Qty/Case
202061-100	24-well, polypropylene, 10 mL/square well, round bottoms, 44 mm height	201164-100	25
204754-100	24-well, polypropylene, 10 mL/square well, round bottoms, 44 mm height, sample pack of 202061-100	202497-100	5
202061-300	24-well, irradiated polypropylene, 10 mL/square well, round bottoms, 44 mm height	202497-100	25

48-well Polypropylene Microplates

6R/8C Rectangle Well Shape, Pyramidal Bottom, 4.8 mL/well mm

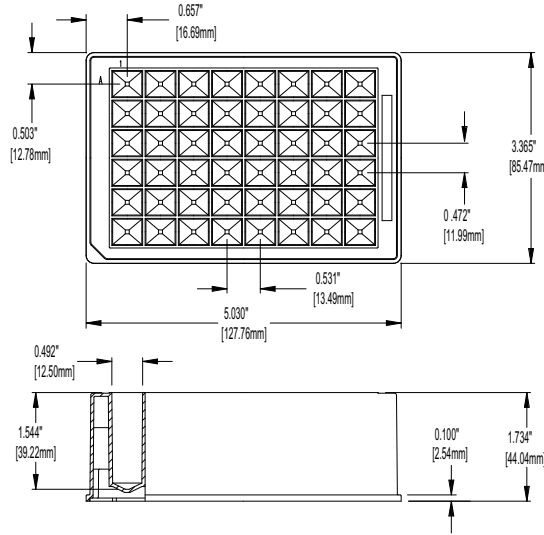


Plate dimension:	127.76 x 85.47
A1 row offset:	12.78
A1 column offset:	16.69
Well spacing:	11.99/13.49
Well top dimensions (length/width):	12.50/10.97
Plate height:	44.04
Well max depth:	39.22
Skirt height:	2.54

Part Number	Description	Suggested seal	Qty/Case
201306-100	48-well, polypropylene, 4.8 mL/square well, pyramid bottoms, 44mm height	N/A	25

8R/6C Rectangle Well Shape, Pyramidal Bottom, 5.0 mL/well mm

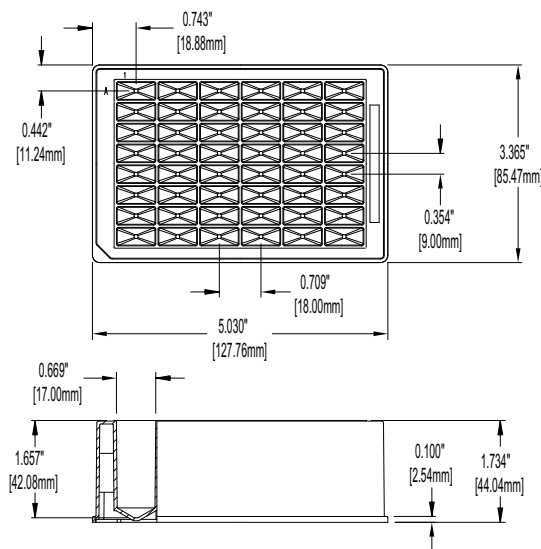


Plate dimension:	127.76 x 85.47
A1 row offset:	11.24
A1 column offset:	18.88
Well spacing:	9.00/18.00
Well top dimensions (length/width):	17.00/8.00
Plate height:	44.04
Well max depth:	42.08
Skirt height:	2.54

Part Number	Description	Suggested seal	Qty/Case
201238-100	48-well, polypropylene, 5 mL/rectangle well, pyramid bottoms, 44 mm height	201156-100	25

Storage/Assay/Collection Plates
48-well Polypropylene Microplates

Part Number	Description	Suggested seal	Qty/Case
203903-100	48-well, high purity polypropylene, 4.8 mL /rectangle well, pyramid bottoms, 44 mm height	201156-100	25
204351-100	48-well, polypropylene, 5 mL/rectangle well, pyramid bottoms, 44 mm height, irradiated	202497-100	25

8R/6C Rectangle Well Shape, Pyramidal Bottom, 7.5 mL/well mm

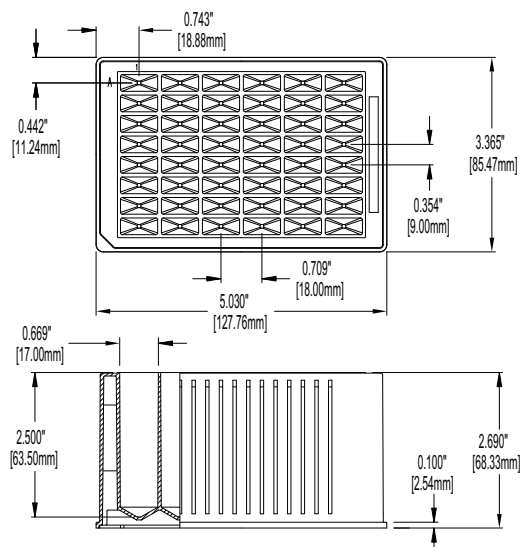


Plate dimension:	127.76 x 85.47
A1 row offset:	11.24
A1 column offset:	18.88
Well spacing:	9.00/18.00
Well top dimensions (length/width):	17.00/8.00
Plate height:	68.33
Well max depth:	63.50
Skirt height:	2.54

Part Number	Description	Suggested seal	Qty/Case
201236-100	48-well, polypropylene, 7.5 mL/rectangle well, pyramid bottoms, 68 mm height	201156-100	15

96-well Polypropylene Microplates

8R/12C Round Well Shape, Spherical Bottom, 0.5 mL/well

mm

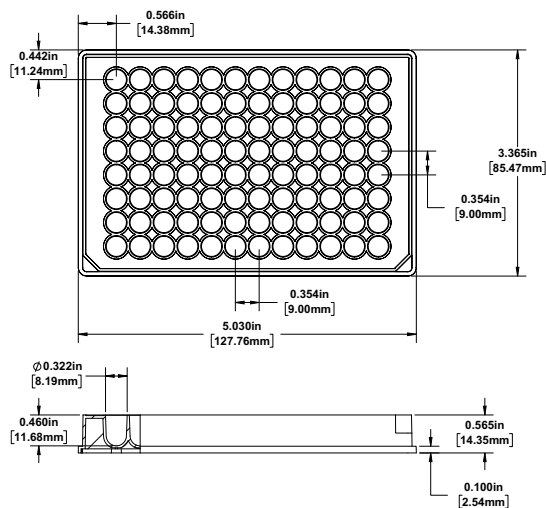


Plate dimension:	127.76 x 85.47
A1 row offset:	11.24
A1 column offset:	14.38
Well spacing:	9.00/9.00
Well top diameter:	8.19
Plate height:	14.35
Well max depth:	11.68
Skirt height:	2.54

Part Number	Description	Suggested seal	Qty/case
204600-100	96-well, polypropylene, 0.5mL/round well, round bottom, 14.3 mm height	200856-100	25
203942-100	96-well, polypropylene, 0.5 mL/round well, round bottom, 14.3 mm height	200856-100	50
204601-100	96-well, polypropylene, 0.5 mL/round well, round bottom, 14.3 mm height, irradiated	202496-100	25
204602-100	96-well, polypropylene, 0.5mL/round well, round bottom, 14.3 mm height, irradiated	202496-100	50

Storage/Assay/Collection Plates
96-well Polypropylene Microplates

8R/12C Square Well Shape, Flat Bottom, 0.7 mL/well

mm

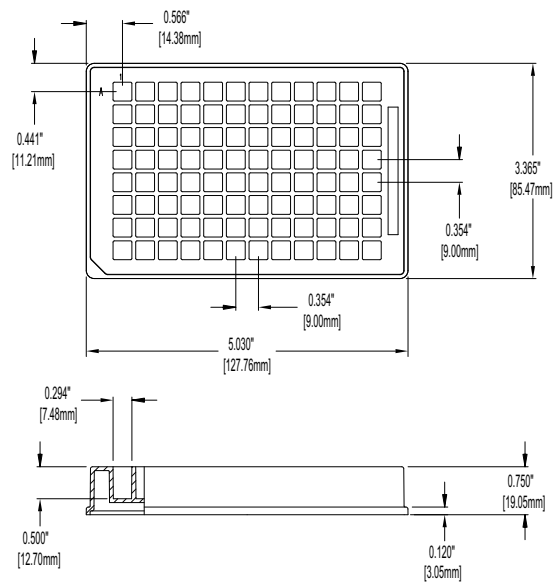


Plate dimension:	127.76 x 85.47
A1 row offset:	11.21
A1 column offset:	14.38
Well spacing:	9.00/9.00
Well top dimensions (length/width):	7.48/7.48
Plate height:	19.05
Well max depth:	12.70
Skirt height:	3.05

Part Number	Description	Suggested seal/lid	Qty/case
201242-100	96-well, polypropylene, 0.7 mL/square well, flat bottoms, 19 mm height	201158-100 201160-100	50

Storage/Assay/Collection Plates
96-well Polypropylene Microplates

8R/12C Round Well Shape, Spherical Bottom, 1.0 mL/well

mm

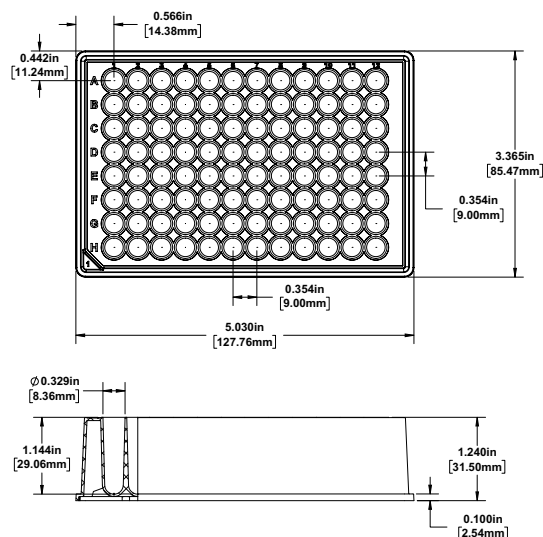


Plate dimension:	127.76 x 85.47
A1 row offset:	11.24
A1 column offset:	14.38
Well spacing:	9.00/9.00
Well top diameter:	8.36
Plate height:	31.50
Well max depth:	29.06
Skirt height:	2.54

Part Number	Description	Suggested seal	Qty/case
203426-100	96-well, polypropylene, 1mL/round well, round bottoms, 32 mm height	200856-100	25
204755-100	96-well, polypropylene, 1mL/round well, round bottoms, 32 mm height, 5/pk, sample pack of 203426-100	200856-100	5
204357-100	96-well, polypropylene, 1 mL/round well, round bottoms, 32 mm height, irradiated	202497-100	25
204392-100	96-well, polypropylene, 1 mL/round well, round bottoms, 32 mm height, white	200856-100	25

Storage/Assay/Collection Plates
96-well Polypropylene Microplates

8R/12C Square Well Shape, Pyramidal Bottom, 2 mL/well **mm**

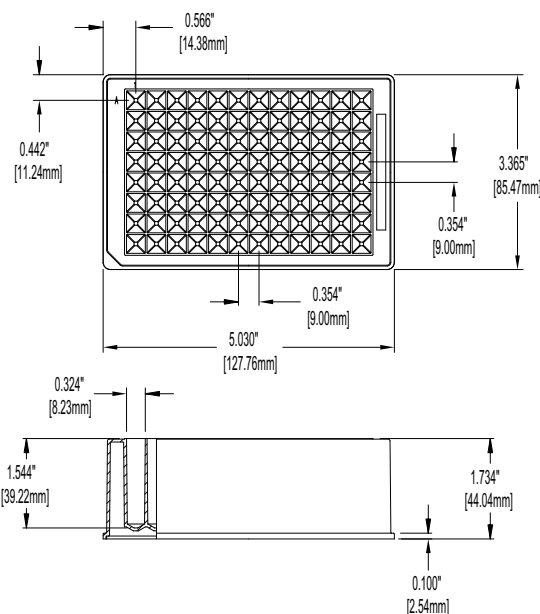


Plate dimension:	127.76 x 85.47
A1 row offset:	11.24
A1 column offset:	14.38
Well spacing:	9.00/9.00
Well top dimensions (length/width):	8.23/8.23
Plate height:	44.04
Well max depth:	39.22
Skirt height:	2.54

Part Number	Description	Suggested seal	Qty/case
201240-100	96-well, polypropylene, 2 mL/square well, pyramid bottoms, 44 mm height	201158-100 201160-100	25
204751-100	96-well, polypropylene, 2 mL/square well, pyramid bottoms, 44 mm height, sample pack of 201240-100	201158-100 201160-100	5
204353-100	96-well, polypropylene, 2 mL/square well, pyramid bottoms, 44 mm height, irradiated	202497-100	25
201379-100	96-well, ultrahigh purity polypropylene, 2 mL/square well, pyramid bottoms, 44 mm height	201158-100 201160-100	25
204379-100	96-well, ultrahigh purity polypropylene, 2 mL/square well, pyramid bottoms, 44 mm height, irradiated	202497-100	25

384-well Polypropylene Microplates

16R/24C Square Well Shape, Spherical Bottom, 58 μ L/well

mm

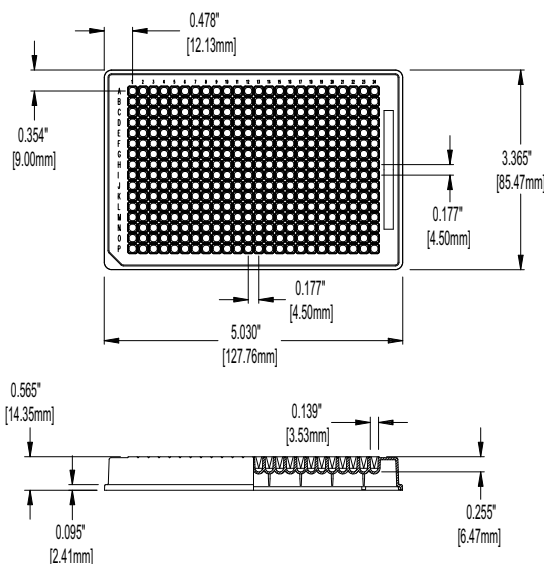


Plate dimension:	127.76 x 85.47
A1 row offset:	9.00
A1 column offset:	12.13
Well spacing:	4.50/4.50
Well top dimensions (length/width):	3.53/3.53
Plate height:	14.35
Well max depth:	6.47
Skirt height:	2.41

Part Number	Description	Suggested seal	Qty/case
201288-100	384-well, polypropylene, 58 μ L/square well, spherical bottoms, 14.5 mm height	N/A	60
201290-100	384-well, black polypropylene, 58 μ L/square well, spherical bottoms, 14.5 mm height	N/A	60

Storage/Assay/Collection Plates
384-well Polypropylene Microplates

16R/24C Square Well Shape, Spherical Bottom, 0.2 mL/well

mm

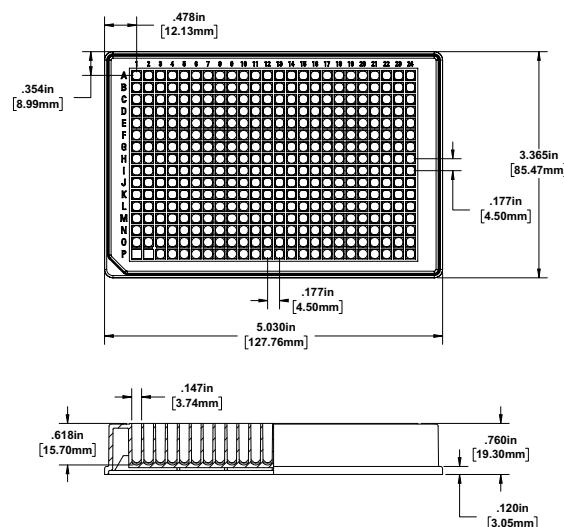


Plate dimension:	127.76 x 85.47
A1 row offset:	8.99
A1 column offset:	12.13
Well spacing:	4.50/4.50
Well top dimensions (length/width):	3.74/3.74
Plate height:	19.30
Well max depth:	15.70
Skirt height:	3.05

Part Number	Description	Suggested seal	Qty/case
204586-100	384-well, polypropylene, 200 µL/square well, spherical bottoms, 19mm height	N/A	10
204587-100	384-well, polypropylene, 200 µL/square well, spherical bottoms, 19mm height, irradiated	N/A	10

Cell Culture & Imaging Plates

Cell Culture & Imaging Microplates Overview

Agilent offers a new microplate product line to support cell culture and imaging. These high-quality polystyrene products provide superb optical clarity and comply with ANSI standards for compatibility with automated processing systems. TC surface treatment enhances cell attachment while the included lid maintains a sterile growth environment with low risk of cross-contamination. The product designs feature easy stacking, alphanumeric well IDs and well chimneys with corresponding condensation rings on the lid.



Table 2 Microplate design options

Characteristic	Available options
Well number	96, 384
Well shape	Round, Square
Well volume (μL)	400, 140

96-well Polystyrene Microplates

8R/12C Clear Bottom, Clear Round Well Shape, Flat Bottom, 0.4 mL/well

mm

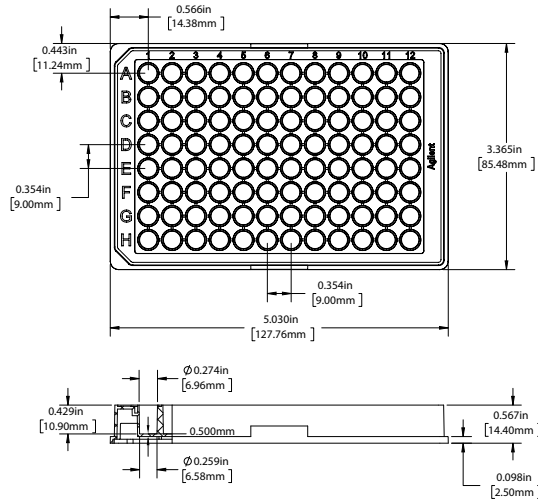


Plate dimension:	127.76 x 85.47
A1 row offset:	11.24
A1 column offset:	14.38
Well spacing:	9.00/9.00
Well top diameter:	6.96
Well bottom diameter:	6.58
Well bottom thickness:	0.50
Plate height:	14.40
Well max depth:	11.90
Skirt height:	2.50

Part Number	Description	Qty/case
204624-100	Clear polystyrene with flat bottoms, 96-well, 400 uL/well with lid and tissue culture treatment, irradiated	40

8R/12C Clear Bottom, Black Round Well Shape, Flat Bottom, 0.4 mL/well

mm

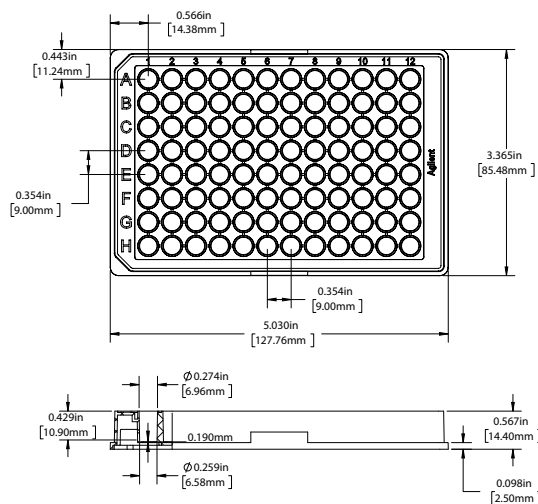


Plate dimension:	127.76 x 85.47
A1 row offset:	11.24
A1 column offset:	14.38
Well spacing:	9.00/9.00
Well top diameter:	6.96
Well bottom diameter:	6.58
Well bottom thickness:	0.190
Plate height:	14.40
Well max depth:	11.90
Skirt height:	2.50

Part Number	Description	Qty/case
204626-100	Black polystyrene with clear flat bottoms, 96-well, 400 uL/well with lid and tissue culture treatment, irradiated	32

384-well Polystyrene Microplates

16R/24C Clear Bottom, Black Square Well Shape, Flat Bottom, 0.2 mL/well

mm

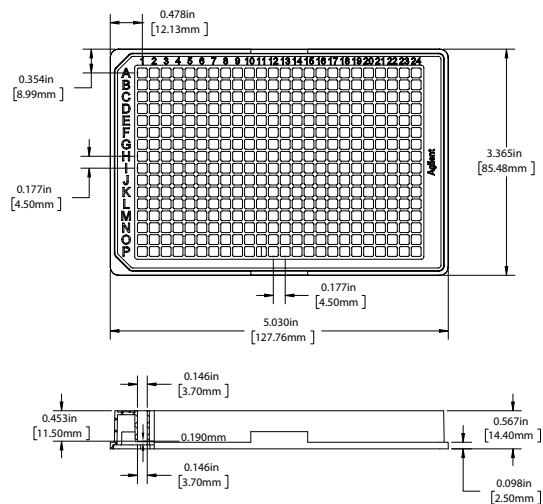


Plate dimension:	127.76 x 85.47
A1 row offset:	8.99
A1 column offset:	12.13
Well spacing:	4.50/4.50
Well top dimensions (length/width):	3.70/3.70
Well bottom thickness:	0.190
Plate height:	14.40
Well max depth:	11.50
Skirt height:	2.50

Part Number	Description	Qty/case
204628-100	Black polystyrene with clear flat bottoms, 384-well, 140 uL/well with lid and tissue culture treatment, irradiated	32

Reservoirs

Reservoir Microplates Overview

Agilent polypropylene reservoir microplates are available for a wide range of automated liquid handlers and handheld pipettors. These reservoir microplates are molded using high-quality, chemical-resistant polymers to ANSI/SLAS standard footprints, with optimized base geometries to minimize dead volumes. They are available with 1 to 24 cavities per reservoir plate, container heights between 19 and 44 mm, and with clear or black lids. These reservoirs are recommended for both method scale-up and scale-down applications as well as for creating design of experiments (DoE) arrays.

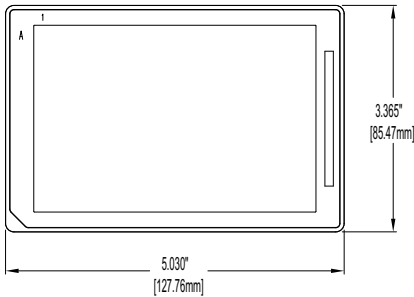
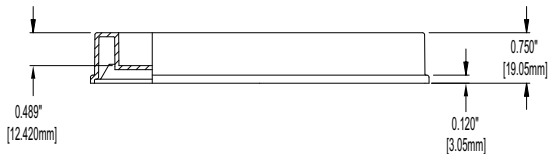


Table 3 Microplate design options

Characteristic	Available options
Well number	1, 2, 3, 4, 5, 6, 8, 12, 16, 24
Well shape	columns, open, rows, special
Well volume (mL)	3.25, 3.5, 4.9, 7, 10.6, 21, 32, 47, 73, 86, 90, 92, 95, 145, 170, 282, 290, 300
Additional features	irradiated, control wells, two rows

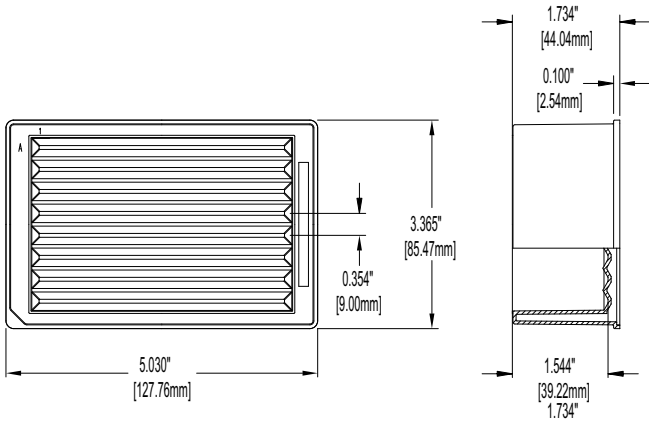
Single Cavity Polypropylene Microplates

Well bottom shape number: Flat

Single Cavity, Open, Flat Bottom, 90 mL		mm
		Plate dimension: 127.76 x 85.47 A1 row offset: 42.74 A1 column offset: 63.88 Well spacing: -- Well top dimensions (length/width): 106.48/70.49 Plate height: 19.05 Well max depth: 12.42 Skirt height: 3.05
		

Part Number	Description	Qty/case
201270-100	Single cavity, polypropylene, 90 mL, flat base geometry, 19 mm height	25

Well bottom shape number: 8

8R/1C Rectangular Well Shape, Pyramid Column Bottom, 290 mL		mm
		Plate dimension: 127.76 x 85.47 A1 row offset: 11.24 A1 column offset: 63.88 Well spacing: 9.00 Well top dimensions (length/width): 107.39/70.60 Plate height: 44.04 Well max depth: 39.22 Skirt height: 2.54

Part Number	Description	Qty/case
204504-100	Single cavity, polypropylene, 290 mL, 8 row base geometry, 44 mm height, irradiated	25
201252-100	Single cavity, polypropylene, 290 mL, 8 row base geometry, 44 mm height	25

Well bottom shape number: 12

1R/12C Rectangular Well Shape, Pyramidal Column Bottom, 170 mL/well **mm**

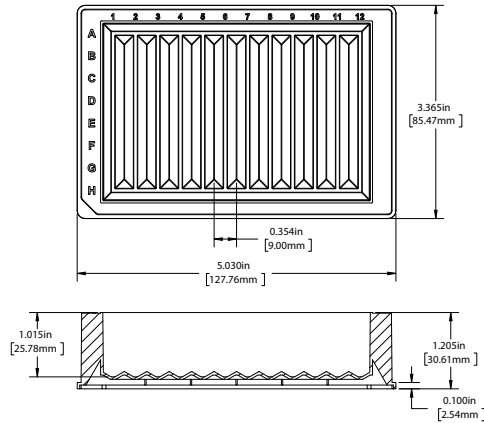


Plate dimension:	127.76 x 85.47
A1 row offset:	42.74
A1 column offset:	14.38
Well spacing:	9.00
Well top dimensions (length/width):	107.24/71.22
Plate height:	30.60
Well max depth:	25.78
Skirt height:	2.54

Part Number	Description	Qty/case
200686-100	Single cavity, polypropylene, 170 mL, 12 column base geometry, 30.6 mm height	25
204363-100	Single cavity, polypropylene, 170 mL, 12 column base geometry, 30.6 mm height, irradiated	25

1R/12C Rectangular Well Shape, Pyramidal Column Bottom, 290 mL **mm**

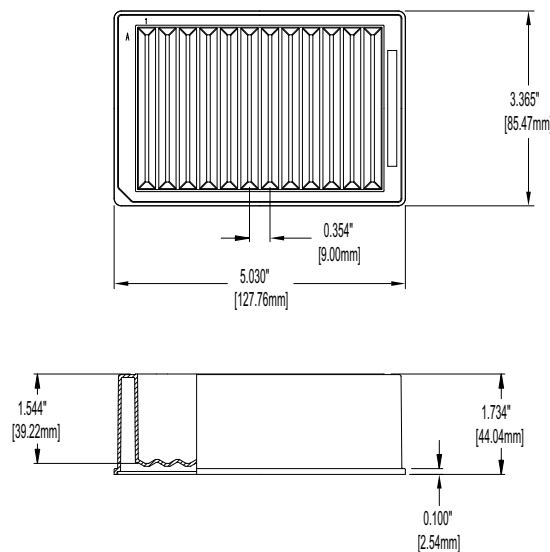


Plate dimension:	127.76 x 85.47
A1 row offset:	42.72
A1 column offset:	14.38
Well spacing:	9.00
Well top dimensions (length/width):	107.24/71.22
Plate height:	44.04
Well max depth:	39.22
Skirt height:	2.54

Part Number	Description	Qty/case
201250-100	Single cavity, polypropylene, 290 mL, 12 column base geometry, 44 mm height	25
204093-100	Single cavity, polypropylene, 290 mL, 12 column base geometry, 44 mm height, irradiated	25

Well bottom shape number: 96

12C/8R Rectangular Well Shape, Pyramidal Bottom, 86 mL/well **mm**

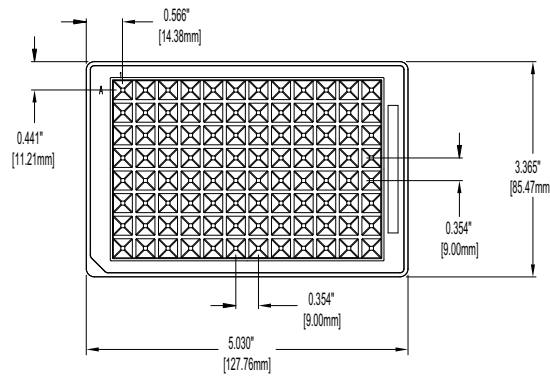
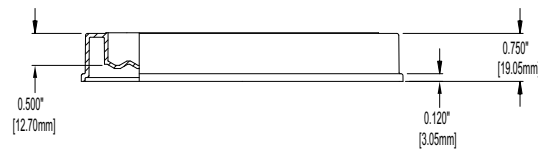
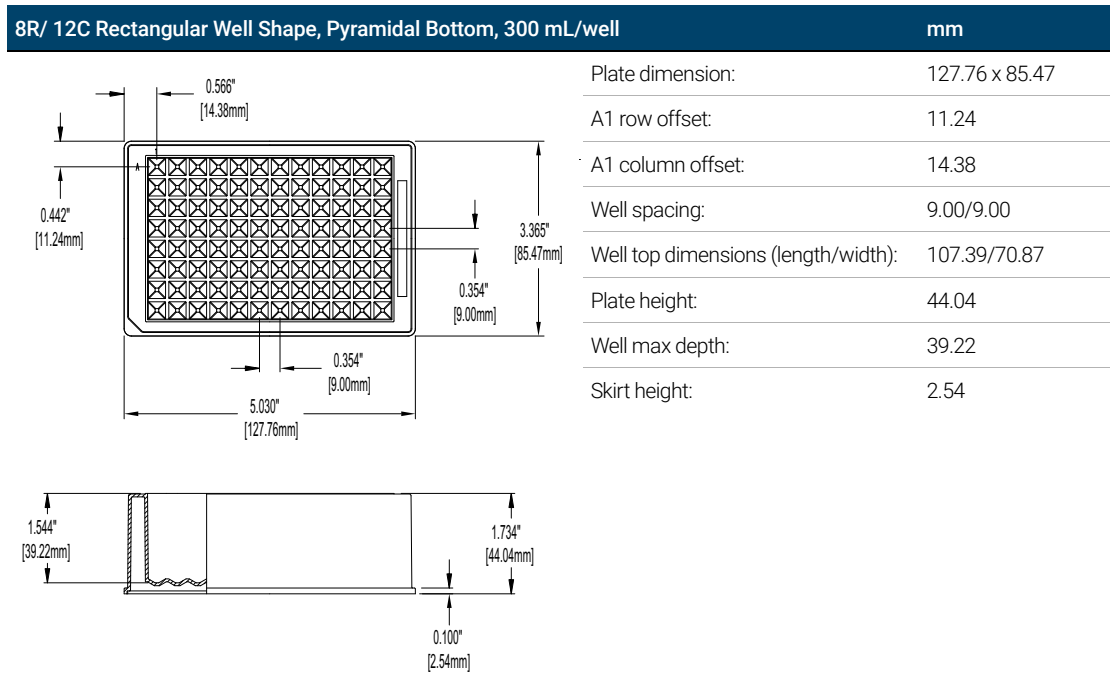


Plate dimension:	127.76 x 85.47
A1 row offset:	11.21
A1 column offset:	14.38
Well spacing:	9.00/9.00
Well top dimensions (length/width):	106.22/70.46
Plate height:	19.05
Well max depth:	12.70
Skirt height:	3.05



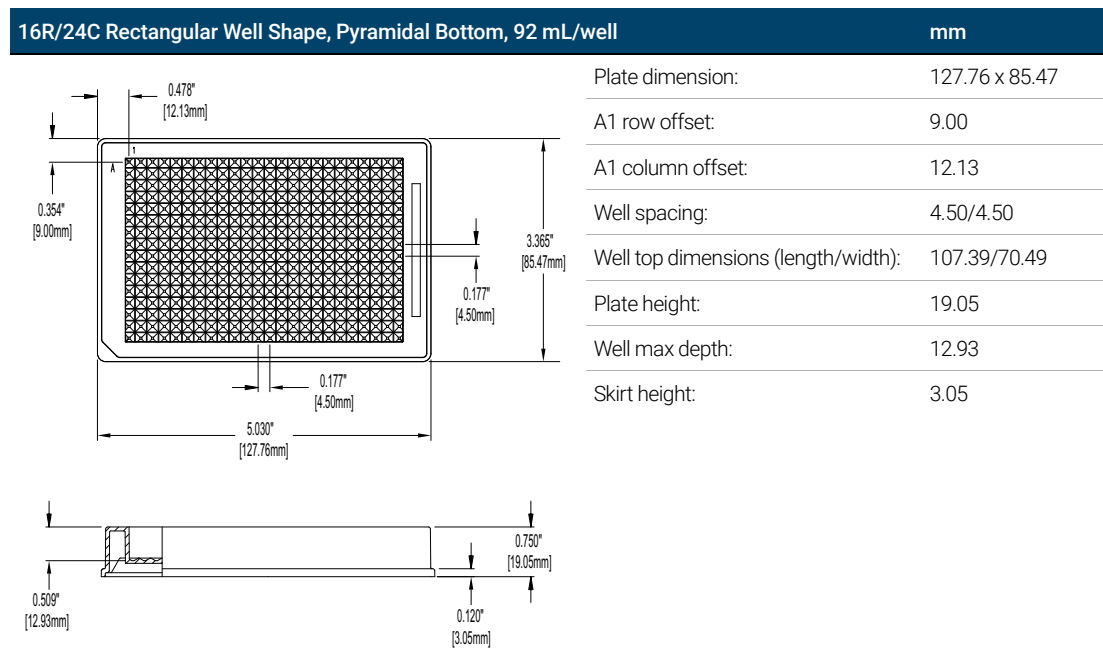
Part Number	Description	Qty/case
201254-100	Single cavity, polypropylene, 86 mL, 96 pyramids base geometry, 19 mm height	25
204484-100	Single cavity, polypropylene, 86 mL, 96 pyramids base geometry, 19 mm height, irradiated	25

Reservoirs
Single Cavity Polypropylene Microplates



Part Number	Description	Qty/case
201244-100	Single cavity, polypropylene, 300 mL, 96 pyramids base geometry, 44 mm height	25
204017-100	Single cavity, polypropylene, 300 mL, 96 pyramids base geometry, 44 mm height, irradiated	25
201246-100	Single cavity, black polypropylene, 300 mL, 96 pyramids base geometry, 44 mm height	25

Well bottom shape number: 384



Part Number	Description	Qty/case
201266-100	Single cavity, polypropylene, 92 mL, 384 pyramid base geometry, 19 mm height	25
204612-100	Single cavity, polypropylene, 92 mL, 384 pyramid base geometry, 19 mm height, irradiated	25

Reservoirs
Single Cavity Polypropylene Microplates

16R/24C Rectangular Well Shape, Pyramidal Bottom, 170 mL/well **mm**

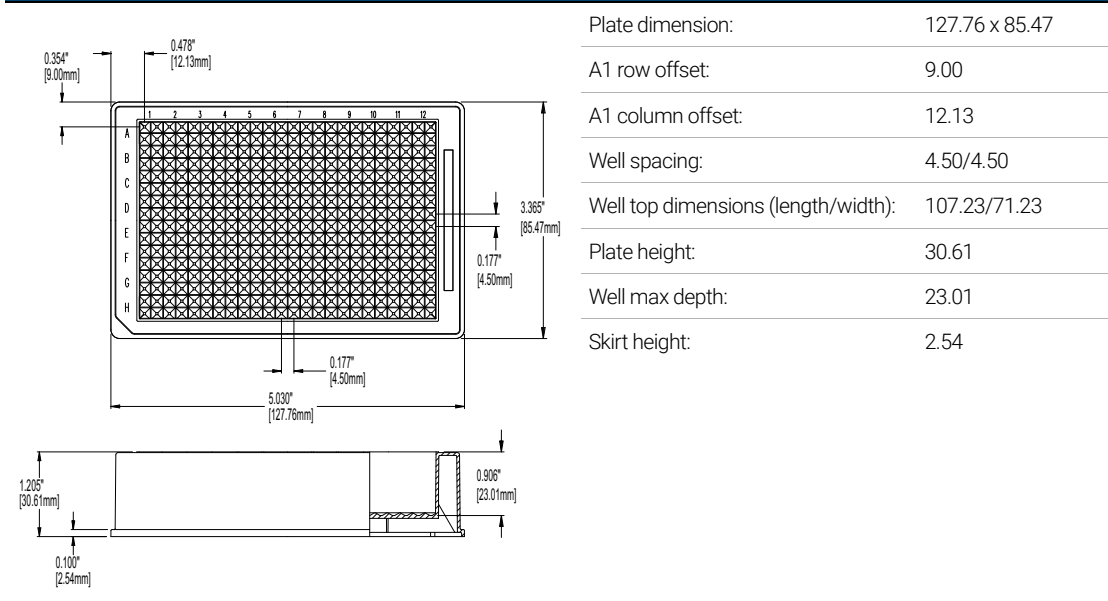


Plate dimension:	127.76 x 85.47
A1 row offset:	9.00
A1 column offset:	12.13
Well spacing:	4.50/4.50
Well top dimensions (length/width):	107.23/71.23
Plate height:	30.61
Well max depth:	23.01
Skirt height:	2.54

Part Number	Description	Qty/case
201302-100	Single cavity, polypropylene, 170 mL, 384 pyramid base geometry, 30.6 mm height	25
204377-100	Single cavity, polypropylene, 170 mL, 384 pyramid base geometry, 30.6 mm height, irradiated	25

Reservoirs
Single Cavity Polypropylene Microplates

16R/24C Rectangular Well Shape, Pyramidal Bottom, 282 mL/well **mm**

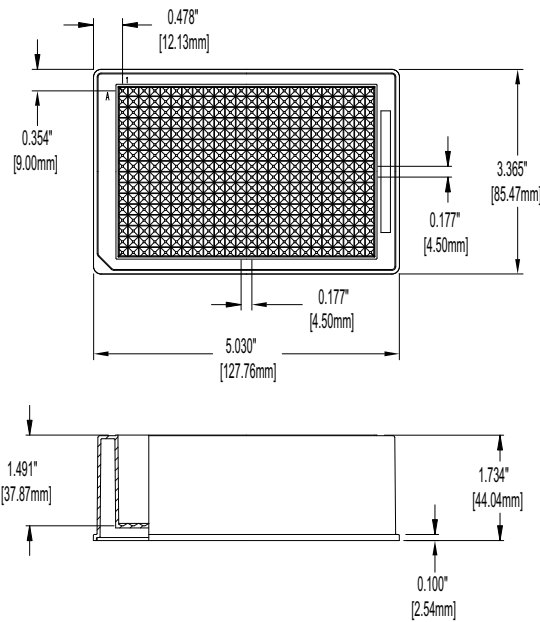


Plate dimension:	127.76 x 85.47
A1 row offset:	9.00
A1 column offset:	12.13
Well spacing:	4.5/4.5
Well top dimensions (length/width):	107.24/71.22
Plate height:	44.04
Well max depth:	37.87
Skirt height:	2.54

Part Number	Description	Qty/case
201264-100	Single cavity, polypropylene, 282 mL, 384 pyramid base geometry, 44 mm height	25

2-Cavity Polypropylene Microplates

Well bottom shape number: 2

16R/24C Rectangular Well Shape, Pyramidal Bottom, 282 mL/well

mm

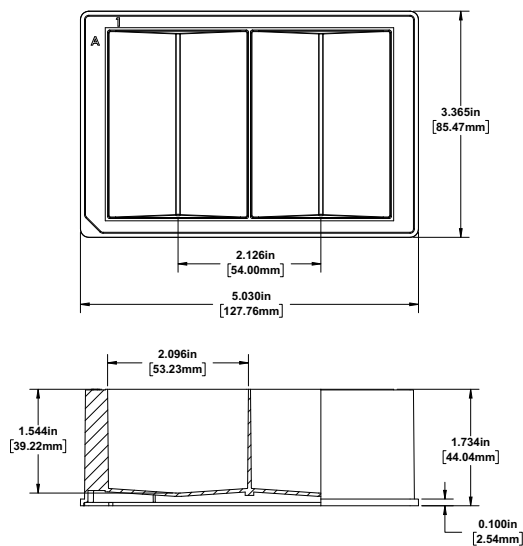


Plate dimension: 127.76 x 85.47

A1 row offset: 42.75

A1 column offset: 38.88

Well spacing: 54.0

Well top dimensions (length/width): 53.22/71.23

Plate height: 44.04

Well max depth: 39.22

Skirt height: 2.54

Part Number	Description	Qty/case
203852-100	2 column, polypropylene, 146 mL/col, 292 mL max, pyramid base geometries, 44 mm height	25
204359-100	2 column, polypropylene, 146 mL/col, 292 mL max, pyramid base geometries, 44 mm height, irradiated	25

3-Cavity Polypropylene Microplates

Well bottom shape number: 3

1R/3C Rectangular Well Shape, Pyramidal Bottom, 285 mL, 95 mL/well

mm

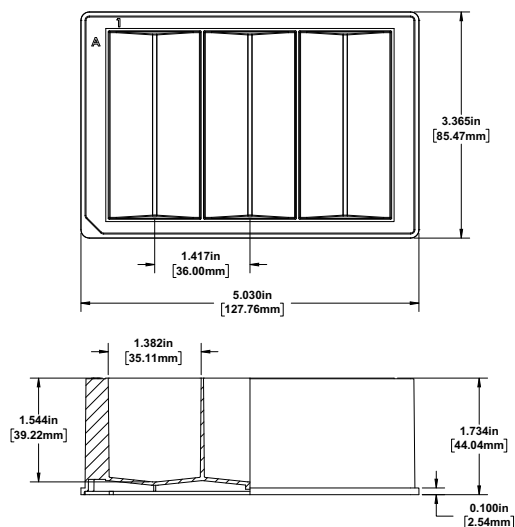


Plate dimension: 127.76 x 85.47

A1 row offset: 42.72

A1 column offset: 27.89

Well spacing: 36.00

Well top dimensions (length/width): 34.34/107.23

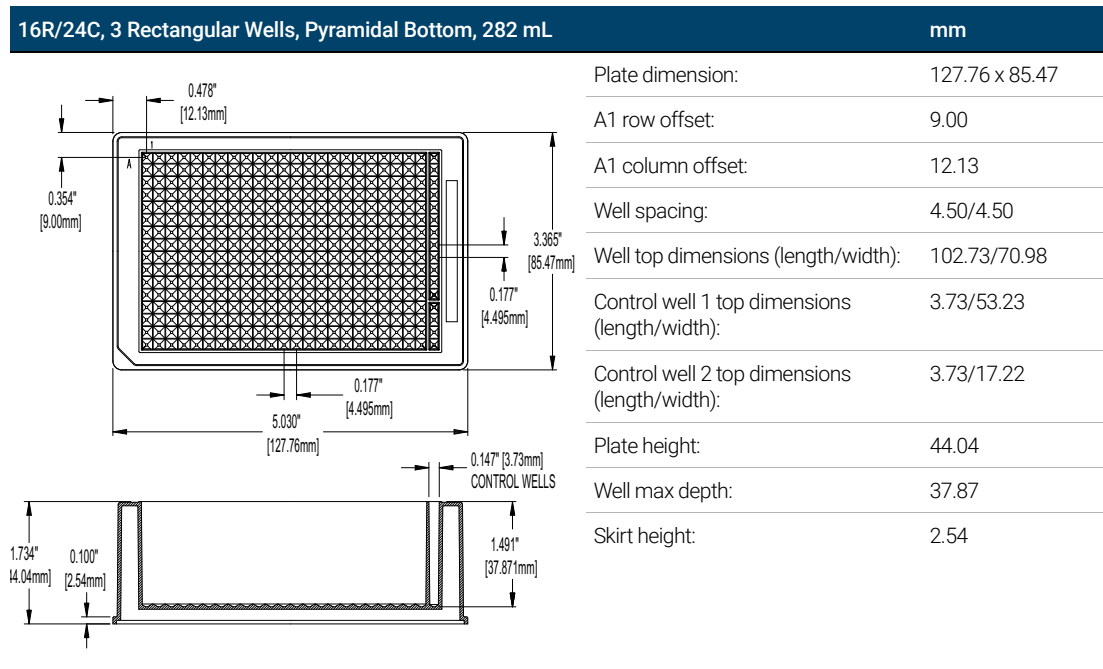
Plate height: 44.04

Well max depth: 39.22

Skirt height: 2.54

Part Number	Description	Qty/case
204249 -100	3 column, polypropylene, 95 mL/col, 285 mL max, pyramid base geometries, 44 mm height	25
204361-100	3 column, polypropylene, 95 mL/col, 285 mL max, pyramid base geometries, 44 mm height, irradiated	25

Well bottom shape number: 384



Part Number	Description	Qty/case
201286-100	Unique, 3 cavity, polypropylene, 2 control wells (7 mL col 24 rows A-L and 2 mL col 24 rows M-P) and 273 mL main, 384 pyramid base geometries, 44 mm height	25

4-Cavity Polypropylene Microplates

Well bottom shape number: 4

4R/1C Rectangular Well Shape, Pyramidal Bottom, 73 mL/well		mm
	Plate dimension:	127.76 x 85.47
	A1 row offset:	15.7
	A1 column offset:	63.88
	Well spacing:	18.00
	Well top dimensions (length/width):	107.23/17.19
	Plate height:	44.04
	Well max depth:	42.08
	Skirt height:	2.54

Part Number	Description	Qty/case
201312-100	4 row, polypropylene, 73 mL/row, 292 mL max, pyramid base geometries, 44 mm height	25
204280-100	4 row, polypropylene, 73 mL/row, 292 mL max, pyramid base geometries, 44 mm height, irradiated	25

1R/4C Rectangular Well Shape, Pyramidal Column Bottom, 73 mL/well		mm
	Plate dimension:	127.76 x 85.47
	A1 row offset:	42.74
	A1 column offset:	23.38
	Well spacing:	27.0
	Well top dimensions (length/width):	26.11/71.12
	Plate height:	44.04
	Well max depth:	42.08
	Skirt height:	2.54

Part Number	Description	Qty/case
201308-100	4 column, polypropylene, 73 mL/col, 292 mL max, pyramid base geometries, 44 mm height	25
204282-100	4 column, polypropylene, 73 mL/col, 292 mL max, pyramid base geometries, 44 mm height, irradiated	25

5-Cavity Polypropylene Microplates

Well bottom shape number: 16

1R/16C, 5 Rectangular Wells, Pyramidal Bottom, 99.3 mL **mm**

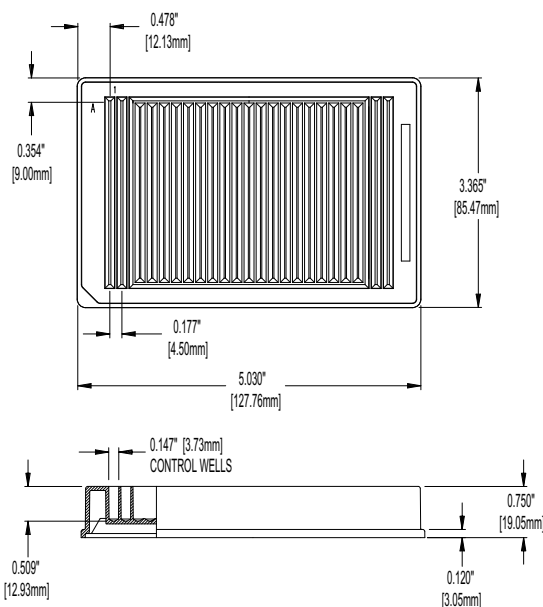


Plate dimension:	127.7 x 85.5
A1 row offset:	9.00
A1 column offset:	12.13
Well spacing:	4.5
Well top dimensions (length/width):	89.24/71.24
Control well top dimensions (length/width):	3.74/71.24
Plate height:	19.05
Well max depth:	12.93
Skirt height:	3.05

Part Number	Description	Qty/case
201278-100	Unique, 5 cavity, polypropylene, 4 control wells 3.25 mL each, main wells 86.3 mL each, 24 pyramid base geometries, 19 mm height	25

Well bottom shape number: 384

16R/24C, 5 Rectangular Wells, Pyramidal Bottom, 155 mL	mm
---	-----------

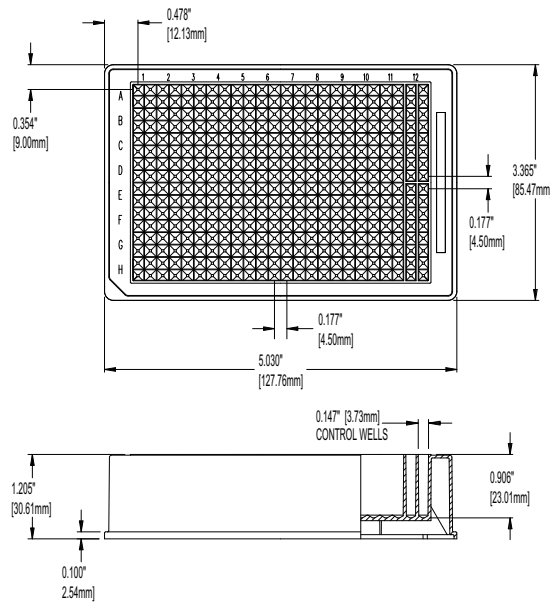


Plate dimension:	127.7 x 85.5
A1 row offset:	9.00
A1 column offset:	12.13
Well spacing:	4.50/4.50
Well top dimensions (length/width):	98.20/71.20
Control well top dimensions (length/width):	3.75/35.23
Plate height:	30.61
Well max depth:	23.01
Skirt height:	2.54

Part Number	Description	Qty/case
201300-100	Unique, 5 cavity, polypropylene, 4 control wells 2.6 mL each, 145 mL main well, 384 pyramid base geometries, 30.6 mm height	25

6-Cavity (Columns) Polypropylene Microplates

Well bottom shape number: 24

4R/6C Square Well Shape, Pyramidal Bottom, 282 mL, 47 mL/well **mm**

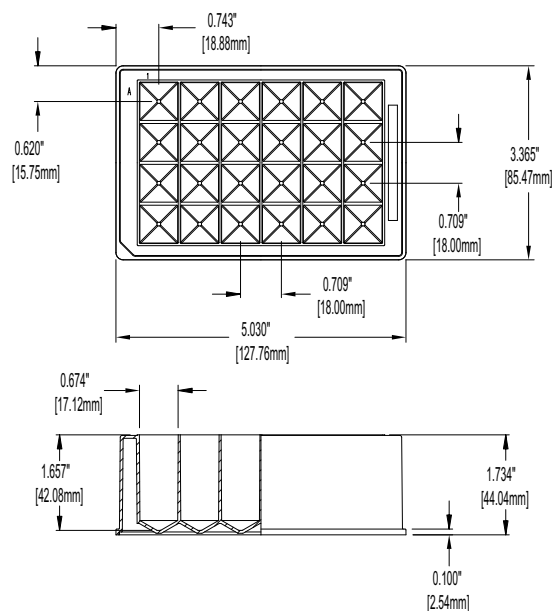
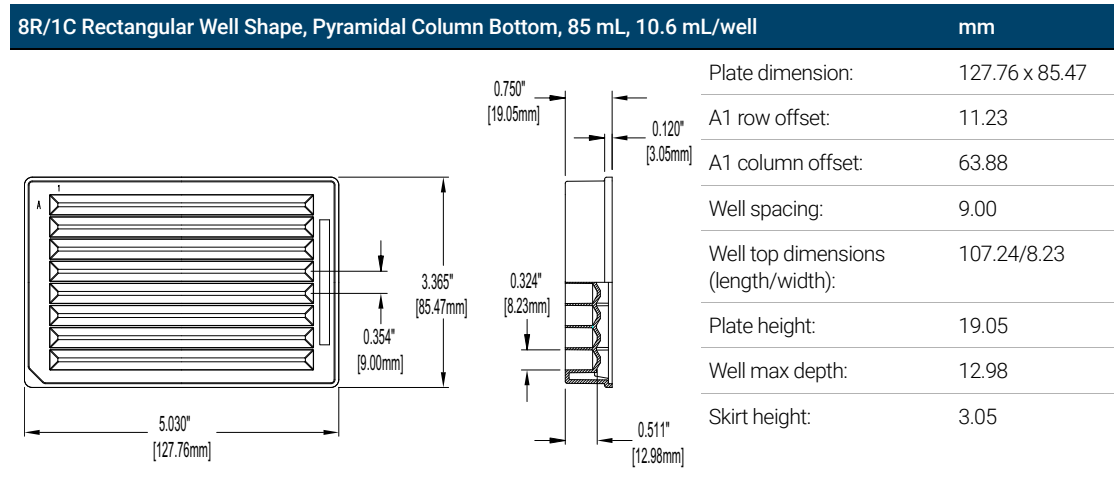


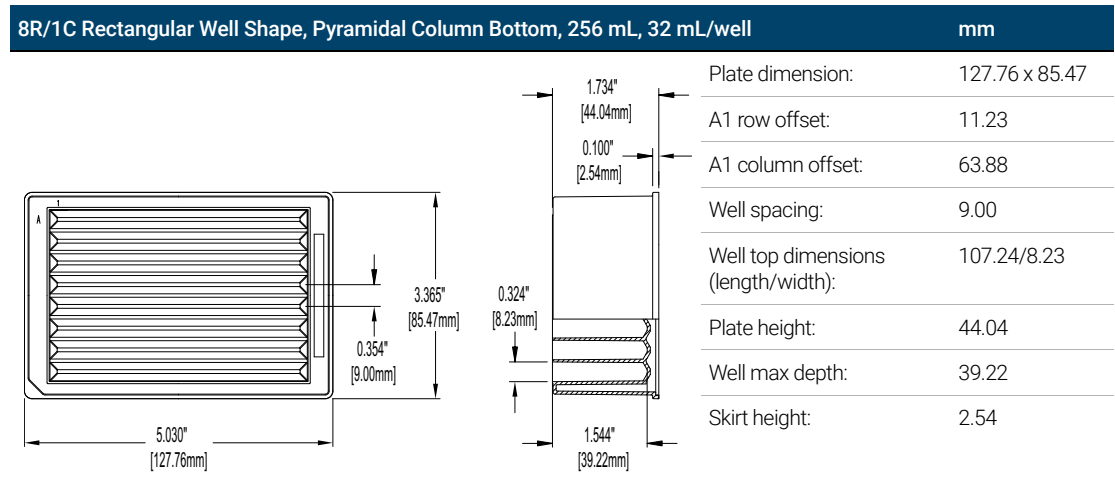
Plate dimension:	127.76 x 85.47
A1 row offset:	15.75
A1 column offset:	18.88
Well spacing:	18.00/18.00
Well top dimensions (length/width):	17.22/16.88
Plate height:	44.04
Well max depth:	42.08
Skirt height:	2.54

Part Number	Description	Qty/case
201284-100	6 column, polypropylene, 47 mL/col, 282 mL max, 24 pyramid base geometries, 44 mm height	25
204284-100	6 column, polypropylene, 47 mL/col, 282 mL max, 24 pyramid base geometries, 44 mm height, irradiated	25

8-Cavity (Rows) Polypropylene Microplates



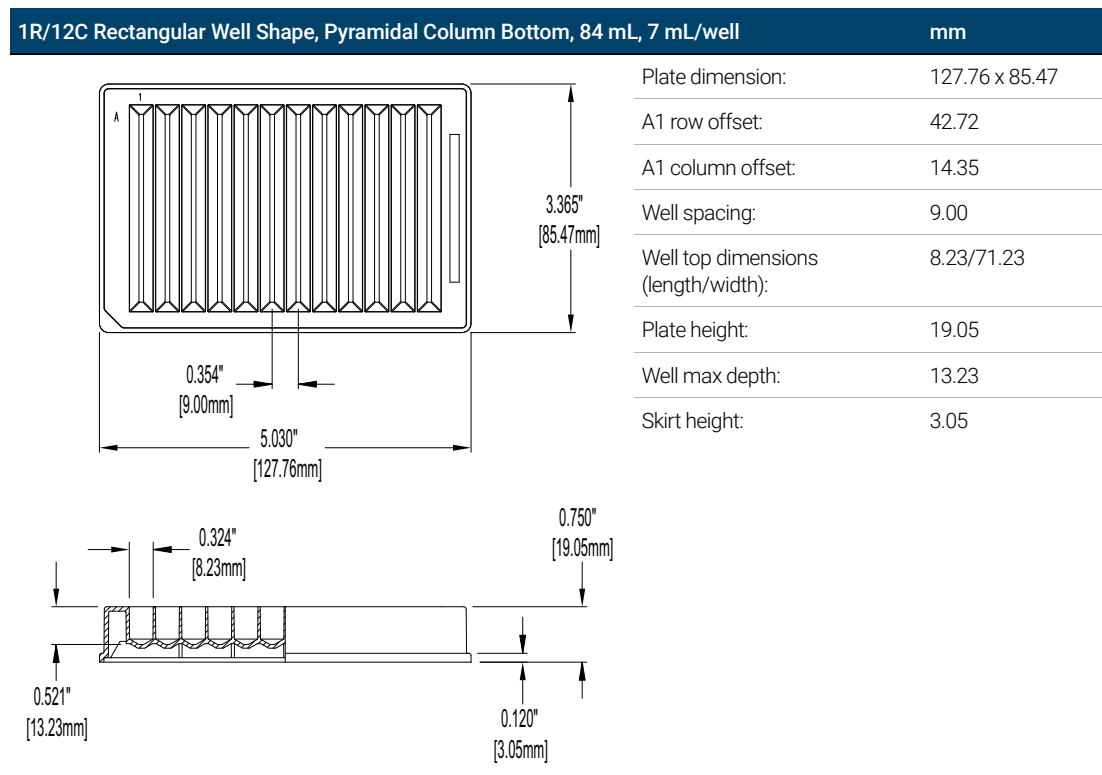
Part Number	Description	Qty/case
201282-100	8 row, polypropylene, 10.6 mL/row, 85 mL max, pyramid base geometries, 19 mm height	25
204367-100	8 row, polypropylene, 10.6 mL/row, 85 mL max, pyramid base geometries, 19 mm height, irradiated	25



Part Number	Description	Qty/case
201260-100	8 row, polypropylene, 32 mL/row, 256 mL max, pyramid base geometries, 44 mm height	25
204019-100	8 row, polypropylene, 32 mL/row, 256 mL max, pyramid base geometries, 44 mm height, irradiated	25

12-Cavity (Columns) Polypropylene Microplates

Well bottom shape number: 12



Part Number	Description	Qty/case
201280-100	12 column, polypropylene, 7 mL/col, 84 mL max, pyramid base geometries, 19 mm height	25
204365-100	12 column, polypropylene, 7 mL/col, 84 mL max, pyramid base geometries, 19 mm height, irradiated	25

Reservoirs

12-Cavity (Columns) Polypropylene Microplates

1R/12C Rectangular Well Shape, Pyramidal Column Bottom, 252 mL, 21 mL/well

mm

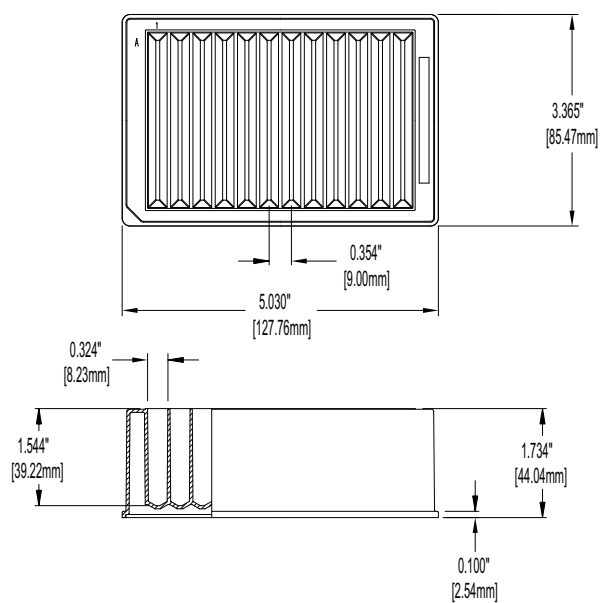
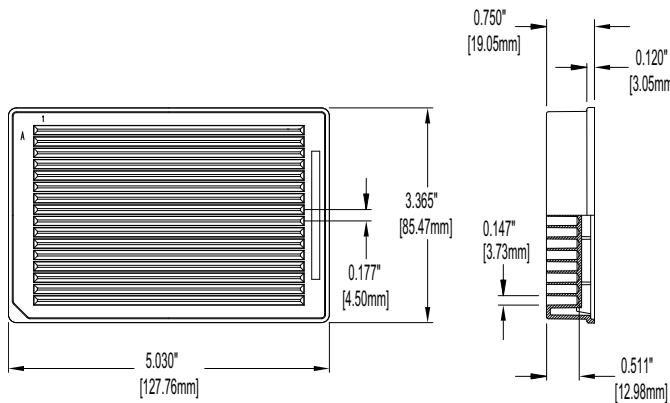


Plate dimension:	127.76 x 85.47
A1 row offset:	42.67
A1 column offset:	14.35
Well spacing:	9.00
Well top dimensions (length/width):	8.23/71.22
Plate height:	44.04
Well max depth:	39.22
Skirt height:	2.54

Part Number	Description	Qty/case
201256-100	12 column, polypropylene, 21 mL/col, 252 mL max, pyramid base geometries, 44 mm height	25
204095 -100	12 column, polypropylene, 21 mL/col, 252 mL max, pyramid base geometries, 44 mm height, irradiated	25

16-Cavity (Rows) Polypropylene Microplates

Well bottom shape number: 16

16R/1C Rectangular Well Shape, Pyramidal Column Bottom, 78 mL, 4.9 mL/well		mm
	Plate dimension:	127.76 x 85.47
	A1 row offset:	9.00
	A1 column offset:	63.85
	Well spacing:	4.50
	Well top dimensions (length/width):	107.24/3.73
	Plate height:	19.05
	Well max depth:	12.98
	Skirt height: 3.05	3.05

Part Number	Description	Qty/case
201294-100	16 row, polypropylene, 4.9 mL/row, 78 ml max, pyramid base geometries, 19 mm height	25
204371-100	16 row, polypropylene, 4.9 mL/row, 78 mL max , pyramid base geometries, 19 mm height, irradiated	25

24-Cavity Polypropylene Microplates

1R/24C Rectangular Well Shape, Pyramidal Column Bottom, 78 mL, 3.25 mL/well

mm

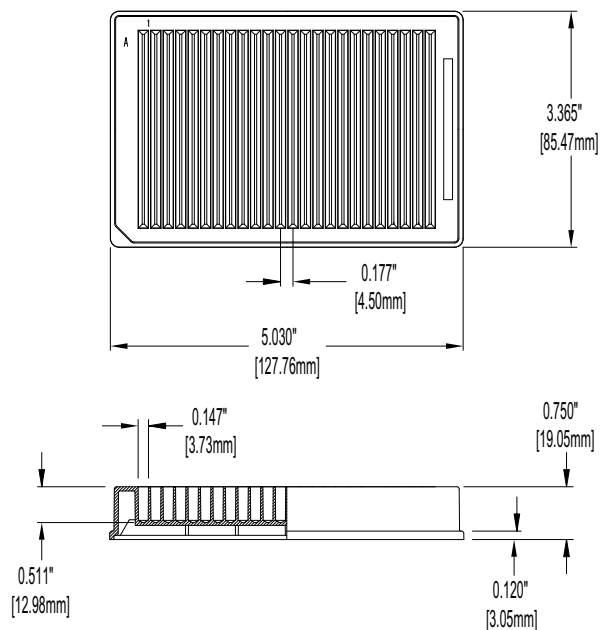


Plate dimension:	127.76 x 85.47
A1 row offset:	42.37
A1 column offset:	12.08
Well spacing:	4.50
Well top dimensions (length/width):	107.24/3.73
Plate height:	19.05
Well max depth:	12.98
Skirt height:	3.05

Part Number	Description	Qty/case
201296-100	24 column, polypropylene, 3.25 mL/col, 78 mL max, pyramid base geometries, 19 mm height	25
204373-100	24 column, polypropylene, 3.25 mL/col, 78 mL max, pyramid base geometries, 19 mm height, irradiated	25

Reservoirs

24-Cavity Polypropylene Microplates

2R/12C Rectangular Well Shape, Pyramidal Column Bottom, 84 mL, 3.5 mL/well

mm

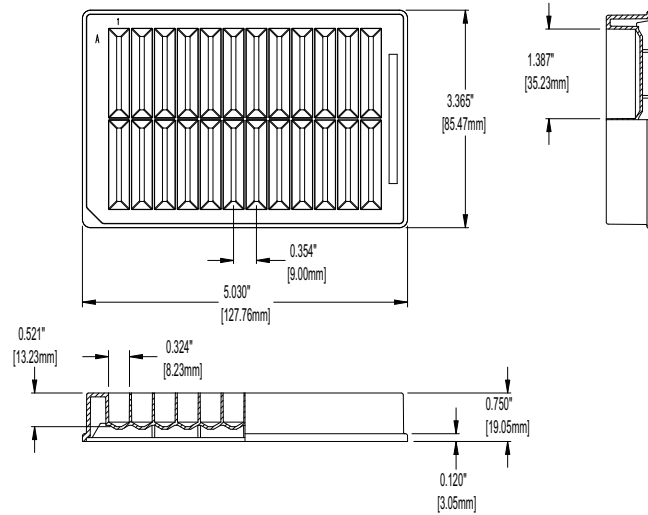


Plate dimension:	127.76 x 85.47
A1 row offset:	24.71
A1 column offset:	14.35
Well spacing:	36.00/9.00
Well top dimensions (length/width):	8.23/35.23
Plate height:	19.05
Well max depth:	13.23
Skirt height:	3.05

Part Number	Description	Qty/case
201298-100	Unique, 24 cavity, polypropylene, 2 rows x 12 columns, 3.5 mL/cavity, 84 mL max, pyramid base geometries, 19 mm height	25
204375-100	Unique, 24 cavity, polypropylene, 2 rows x 12 columns, 3.5 mL/cavity, 84 mL max, pyramid base geometries, 19 mm height, irradiated	25

This page intentionally left blank.

www.agilent.com

© Agilent Technologies, Inc. 2023

Second edition, March 2023



5994-5247EN

