

NM18-45L User Manual



Contents

| | |
|----------------------------|----|
| Change History | 3 |
| How to use this Manual | 3 |
| Introduction | 4 |
| Warranties and Liabilities | 5 |
| Safety Notices | 6 |
| Symbols | 6 |
| Safety Notice to Users | 6 |
| Environmental Declaration | 7 |
| Technical Specification | 8 |
| Environment | 8 |
| Generator Outlets | 8 |
| General | 8 |
| Unpacking | 9 |
| General Dimensions | 10 |
| Air Connection | 11 |
| Commisioning | 11 |
| Maintenance Schedule | 12 |
| Service Schedule | 12 |
| BA Inlet Filters Elements | 13 |
| RAC Filter | 13 |
| Pneumatic Diagrams | 14 |
| NM18L | 14 |
| NM32L | 15 |
| NM45L | 16 |
| IMPORTANT DOCUMENTS | 17 |
| Cleaning | 18 |

Change History

| Rev. | Comment | Name | Date |
|------|--------------------------------|----------------|----------|
| 1 | Initial release | Colin Marshall | 29/07/10 |
| 2 | Filter information update | Liam Couttie | 30/04/13 |
| 3 | Added NM45L information | Liam Couttie | 22/04/14 |
| 4 | Technical Specification Update | Liam Couttie | 26/07/16 |
| 5 | Pneumatic Diagram Update | Liam Couttie | 09/02/17 |
| 6 | Servicing Info Update | Liam Couttie | 11/12/17 |

How to use this Manual

This manual is intended for end users and has been written so that it can either be read as a step by step guide to installation and usage or as a reference document where you can skip to the relevant information.

Users of a hard copy version can refer to the contents page to find the relevant information. Users of the soft copy version can use the hyperlinks from the contents page as well as the hyperlinks between sections.

Please review each of the following sections carefully.

Thank you for selecting Peak Scientific to meet your Gas Generation needs, and should you require any further assistance or support please do not hesitate to contact Peak Scientific or Peak Partner from which you purchased your Generator.

Introduction

The Peak Scientific Nitrogen Generator is designed specifically for use with LCMSMS applications, but has also been used successfully for Turbovap or ELSD applications. The generator has been designed to produce Nitrogen from an existing source of dry, oil free, compressed air in the laboratory.




Warranties and Liabilities

1. The Company warrants that it has title to the Goods.
2. Subject to the provisions of this clause the Company warrants that the Goods shall comply in all material respects with any specification referred to in the Order Confirmation (as the same may be amended) and shall, subject thereto, be free from defects in material and workmanship for the lesser of a period of twelve months from the date of delivery or thirteen months from the date of dispatch from the factory.
3. Save as provided in this clause and except where the Goods are sold to a person dealing as a consumer (within the meaning of the Unfair Contract Terms Act 1977) all warranties, conditions or other terms implied by statute or common law are hereby expressly excluded save to the extent they may not be lawfully excluded. When the Goods are sold to a consumer within the meaning of the Unfair Contract Terms Act 1977 their statutory rights are not affected by the provisions of this clause.
4. In the event of the Customer making a claim in respect of any defect in terms of clause 2 hereof the Customer must.
 1. Reasonably satisfy the Company that the Goods have been properly installed, commissioned, stored, serviced and used and without prejudice to the generality of the foregoing that any defect is not the direct or indirect result of lack of repair and/or servicing, incorrect repair and/or servicing, use of wrong materials and/or incorrect spare parts
 2. Allow the company to inspect the Goods and/or any installation and any relevant packaging as and when reasonably required by the Company.
5. Subject to the Company being notified of any defect as is referred to in sub-clause 2 hereof within a reasonable time of it becoming apparent and subject always to the terms of sub-clause 4 hereof, the Company shall, in its option, replace or repair the defective Goods or refund a proportionate part of the Price. The Company shall have no further liability to the Customer (save as mentioned in sub-clause 6 hereof).
6. The Company shall be liable to indemnify the Customer in respect of any claim for death or personal injury to any person in so far as such is attributable to the negligence or breach of duty of the Company or any failure by the Company to comply with the provisions of sub-clause 2 hereof.
7. Save as provided in sub-clause 2 hereof the Company shall not be liable in respect of any claim by the Customer for costs, damages, loss or expenses (whether direct, indirect, consequential or otherwise) or indemnity in any respect howsoever arising including, but not by way of limitation, liability arising in negligence (other than pursuant to clause 6 above) that may be suffered by the Customer or any third party.

Safety Notices

Symbols

This manual uses the following symbols to highlight specific areas important to the safe and proper use of the Generator

| | |
|---|---|
|  | A WARNING notice denotes a hazard. It calls attention to an operating procedure, process or similar, which if not correctly performed or adhered to, could cause personal injury or in the worst case death. Do not proceed beyond a WARNING notice until the indicated conditions are fully understood or met. |
|  | A CAUTION notice denotes a hazard. It calls attention to an operating procedure, process or similar, which if not correctly performed or adhered to, could cause damage to the Generator or the Application. Do not proceed beyond a CAUTION notice until the indicated conditions are fully understood or met. |
|  | Caution, risk of electric shock. Ensure power to the Generator has been removed before proceeding. |

Safety Notice to Users



These instructions must be read thoroughly and understood before installation and operation of your Peak MS Table Generator. Use of the Generator in a manner not specified by Peak Scientific MAY impair the SAFETY provided by the equipment.



When handling, operating or carrying out any maintenance, personnel must employ safe engineering practices and observe all relevant local health and safety requirements and regulations. The attention of UK users is drawn to the Health and Safety at Work Act 1974, and the Institute of Electrical Engineers regulations.

Generator User Manual

Environmental Declaration

We Peak Scientific Instruments Ltd.
of Fountain Crescent, Inchinnan. Renfrewshire PA4 9RE
declare that:

Equipment Nitrogen Gas Generator
Model NM18-45L

Is fully compliant with the following Directives:

2002/96/EC WEEE (Waste of Electrical and Electronic Equipment)

2002/95/EC RoHS (Restriction of Hazardous Substances)

Peak Scientific Instruments Ltd fully complies with its obligations towards the European WEEE (Waste of Electrical and Electronic Equipment) Directive 2002/96/EC. These obligations are being met within the B2B compliance group.

Peak Scientific Instruments Ltd has developed all reasonable 'due diligence' controls to ensure that our products comply with the principles and requirements of the European RoHS (Restriction of Hazardous Substances) Directive 2002/95/EC. Similar directives in the United States and China, for example, have also been captured within this program.

Where a specific certificate of compliance is required, this can be requested, on a product serial number basis, directly from Peak Scientific Instruments Ltd, by contacting us through our website on www.peakscientific.com

Signed By: 

Name: Ken Brown

Position: Quality Assurance Manager

Done at: Peak Scientific Instruments Ltd, Inchinnan, Scotland.

Date: 1st of November 2009



Generator User Manual

Technical Specification

Environment

| | NM18L | NM32L | NM45L |
|------------------------------------|-------------|-------|-------|
| Min. Operating Ambient Temperature | 5°C / 41°F | | |
| Max. Operating Ambient Temperature | 30°C / 86°F | | |
| Maximum Relative Humidity | 70% | | |

Generator Outlets

| | | | |
|----------------------------|--------------------------|----------|-----------|
| Max. Flow Rate | 18 l/min | 32 l/min | 45 l/min |
| Max. Inlet Pressure | 8.3-10 bar / 120-145 psi | | |
| Max. Outlet Pressure | 100 psi | | |
| Min. Inlet Air Requirement | 50 l/min | 90 l/min | 135 l/min |
| Max. Pressure Drop | 8 psi | | |
| Pressure Dew Point | -40°C / -40°F | | |
| Particles | <0.01µm | | |
| Gas Outlets | 1 | | |
| Pressure Gauges | 1 | | |

General

| | | | |
|-------------------------|-------------------------------|----------------|----------------|
| Generator Dimensions cm | 47 x 16 x 76 / 19" x 7" x 30" | | |
| Shipping Weight | 18kg / 39 lbs | 18 kg / 39 lbs | 20 kg / 44 lbs |

Unpacking

Although Peak Scientific takes every precaution with safe transit and packaging, it is advisable to fully inspect the unit for any sign of transit damage.

Check 'SHOCKWATCH' label for signs of rough handling prior to un-packing -



Any damage should be reported immediately to the carrier and Peak Scientific or the Peak Partner from where the unit was purchased.

Follow the unpacking instructions posted on the side of the crate. It will require two people to remove the unit from the shipping crate and to manoeuvre the Generator onto the floor.

Please save the product packaging for storage or future shipment of the Generator.

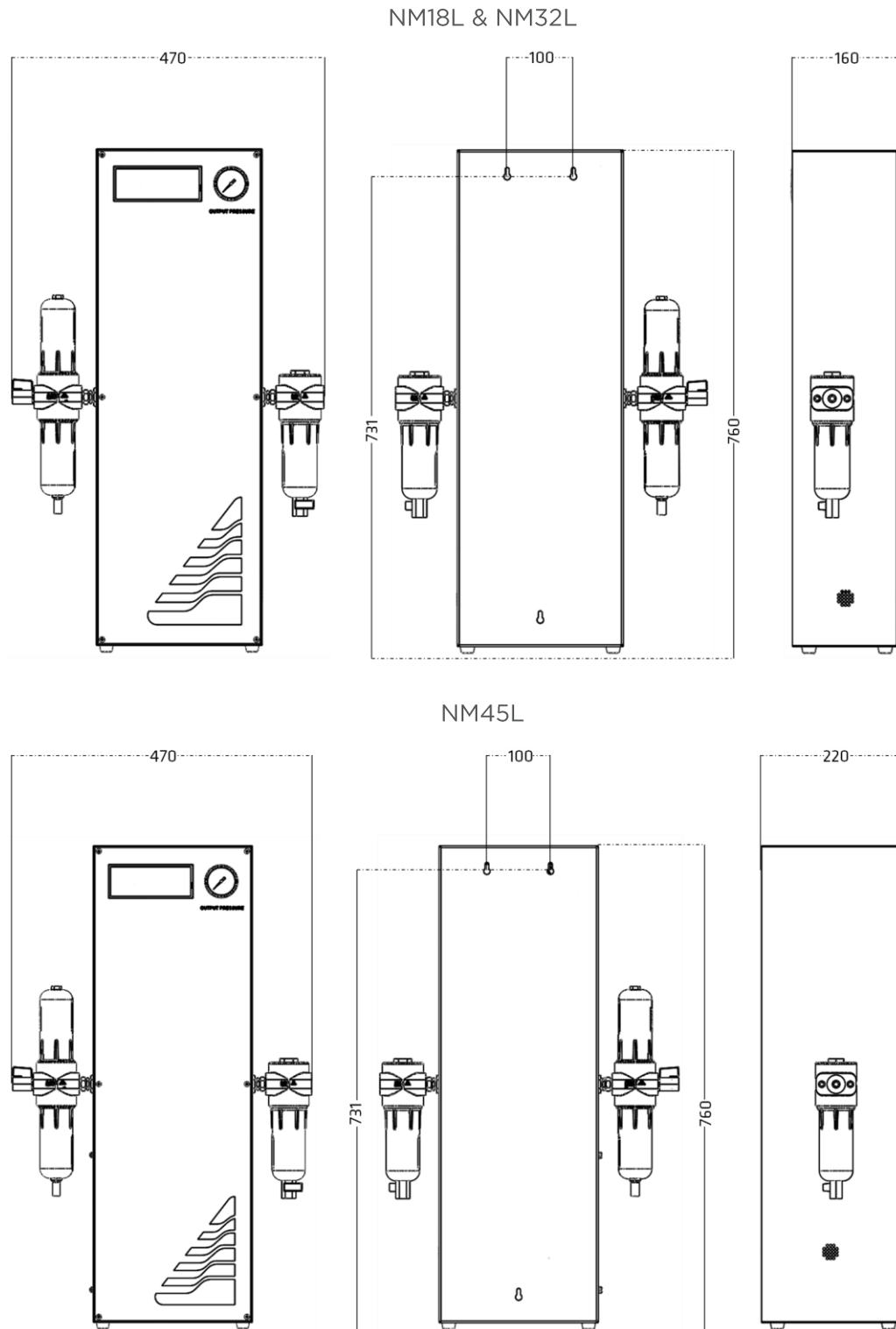
Note: Included with the Generator is a "Fittings Kit" containing mains power leads for UK, EU and US also all the required fittings. Be careful not to discard these with the packaging.

Generator User Manual

General Dimensions

In addition to being floor or bench free standing, the generator may be fixed to a wall in the upright position shown below.

The diagram shows the clearance and mounting hole centres required.



Air Connection

The Nitrogen generator should be connected to a clean, dry, oil-free source of compressed air. A minimum pressure of 120 psi (8.3 bar) for the NM18L, NM32L and NM45L is required. Any doubts as to the suitability of your compressed air supply should be referred to Peak Scientific or any of their authorised partners.

The generator has a Breathing Air Filter with ¼" BSPT connection to the left side of the unit. The compressed air supply should be connected here. This filter will drain moisture and is equipped with an automatic drain. The drain should be led to a convenient place. Nitrogen outlet is via an Activated Carbon reverse-acting filter mounted on the right side, again with a ¼" BSPT connection for outlet.

Commisioning

With the generator installed as previously described, open the air supply to the unit. The generator has been pre-set in the factory to give the specified output flow-rate and pressure. On reaching operational pressure the generator will produce Nitrogen.

The design of the generator is such that it will deliver up to the rated output flow of Nitrogen at 100 psi (6.8 bar) flow at any time is determined by demand of the consuming equipment. In circumstances of no demand, the generator remains operational and will provide nitrogen immediately as demand resumes.

| Generator | Output Flow / Pressure |
|-----------|------------------------|
| NM18L | 18 l/min - 100 psi |
| NM32L | 32 l/min - 100 psi |
| NM45L | 45 l/min - 100 psi |

The above settings should allow the generator to be operated with al standard configurations of instruments. Should the above settings not provide sufficient flow or pressure for your application please contact Peak Scientific for assistance.

Maintenance Schedule



Servicing and / or repair of the generator should only be undertaken by **TECHNICALLY COMPETENT PERSON** with the generator in safely isolated condition.

Due to the simplicity of the design and the small number of moving parts the NM series Nitrogen Generator will have a long and trouble-free life. However as with all scientific and technical equipment it should be regularly inspected and serviced as below.

Service Schedule

| Service Interval | Component | Part No. | Qty. |
|------------------|--------------------------------|----------|------|
| 12 months | BA Inlet Filter Top Element | 00-4427 | 1 |
| | BA Inlet Filter Bottom Element | 00-4424 | 1 |
| | RAC Filter Element | 00-4425 | 1 |

As an alternative to purchasing the 12 month service items individually an Annual Service Kit is available as one part number. This contains all the filters required for this generator.

| Purchase Interval | Component | Visit |
|-------------------|--------------------|--|
| 12 months | Annual Service Kit | www.peakscientific.com/ordering |

BA Inlet Filters Elements

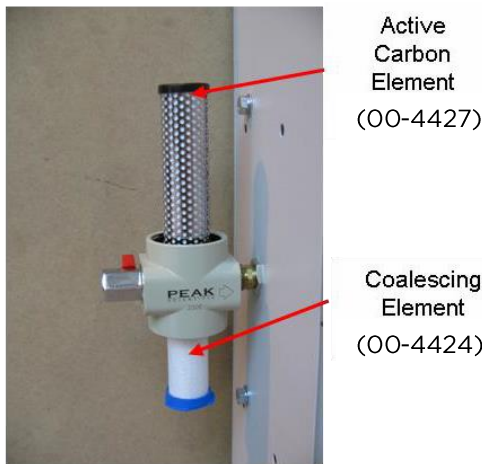
These should be changed at 12 month intervals. In addition, filter bowls should be cleaned and, the operation of the auto-drains should be checked.



Failure to follow the prescribed maintenance plan will invalidate the product warranty.

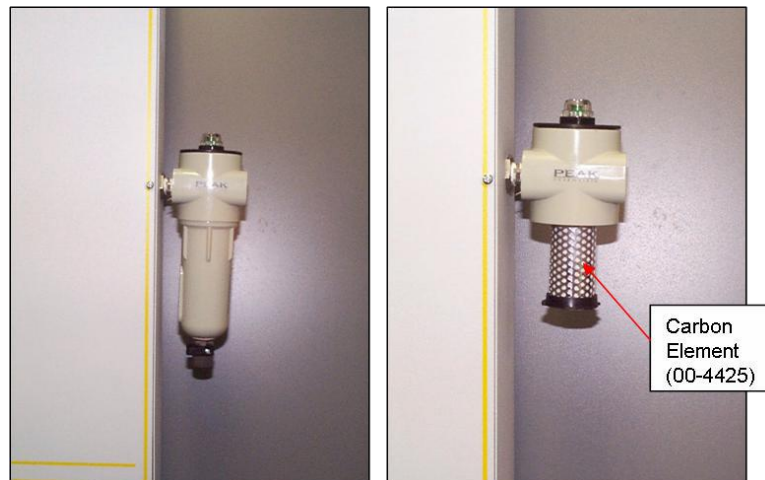


The air supply to the generator **MUST** be turned OFF and the generator **MUST** be de-pressurised prior to attempting to remove ANY filter bowl. Failure to do this may cause injury.



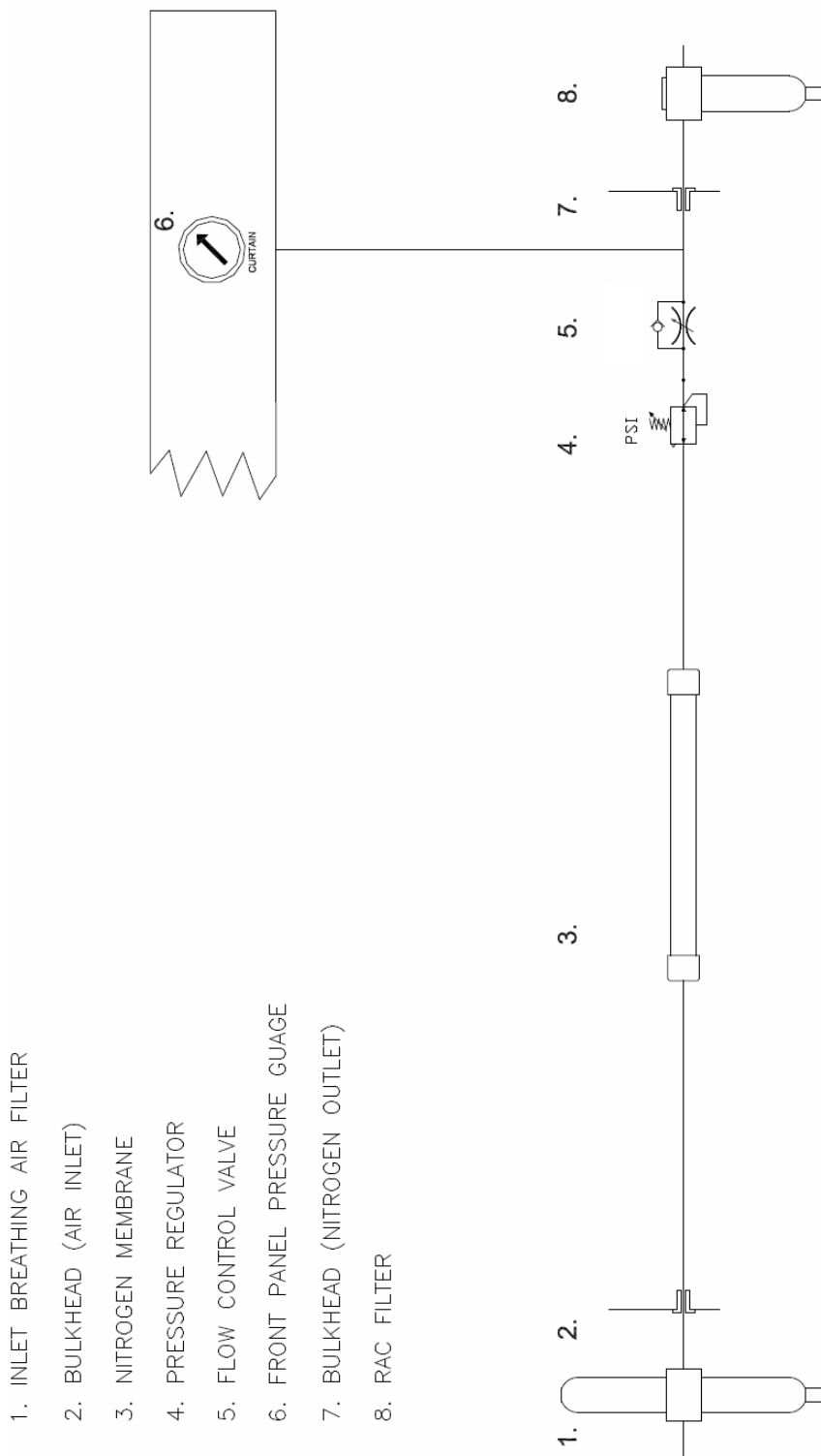
RAC Filter

The element is as shown, and should be changed at 12 month intervals.



Pneumatic Diagrams

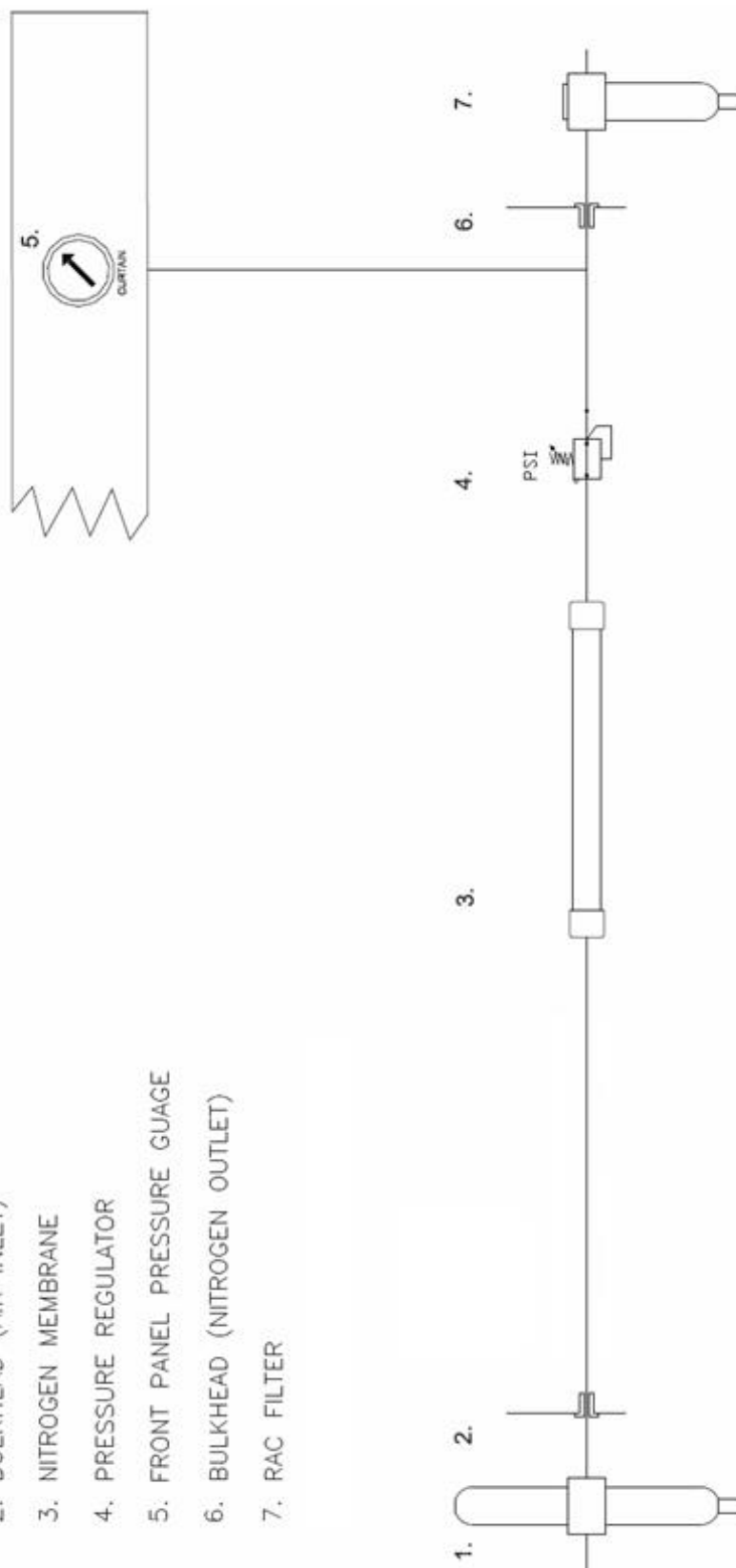
NM18L



Generator User Manual

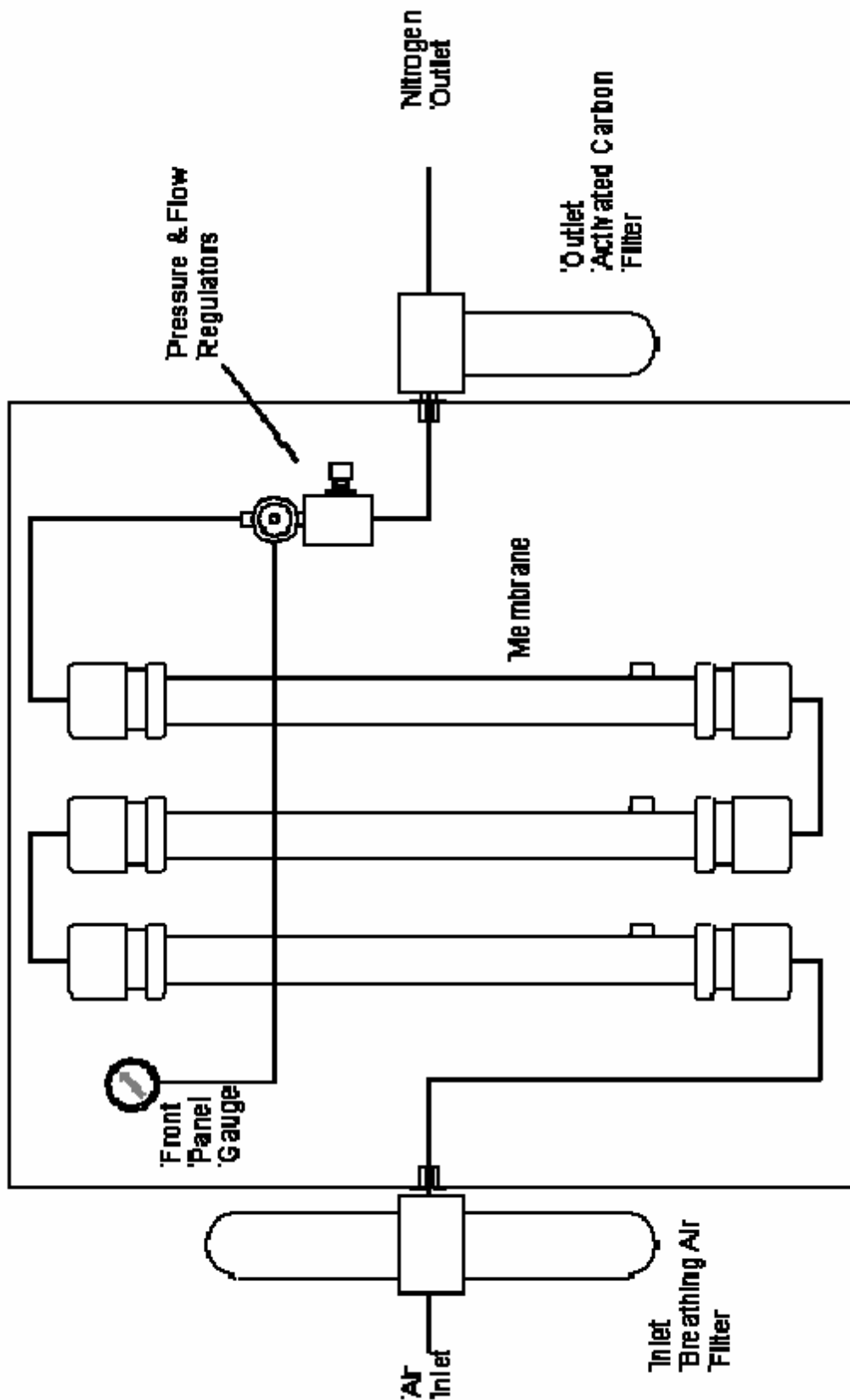
NM32L

1. INLET BREATHING AIR FILTER
2. BULKHEAD (AIR INLET)
3. NITROGEN MEMBRANE
4. PRESSURE REGULATOR
5. FRONT PANEL PRESSURE GAUGE
6. BULKHEAD (NITROGEN OUTLET)
7. RAC FILTER



Generator User Manual

NM45L



IMPORTANT DOCUMENTS



Warranty Entitlement

To register your generator for your warranty entitlement, send the completed form to Peak Scientific by:

- Email warranty@peakscientific.com
- Online http://www.peakscientific.com/service-and-support/warranty_registration
- Phone +44 (0)141 530 4185
- Fax +44 (0)141 812 8200

| PRODUCT WARRANTY REGISTRATION | |
|-------------------------------|--|
| COMPANY: | CONTACT NAME: |
| ADDRESS: | |
| | EMAIL ADDRESS: |
| | |
| CITY/TOWN: | GENERATOR SERIAL NUMBER: |
| POSTCODE: | |
| COUNTRY: | MODEL TYPE: |
| TELEPHONE: | INSTALLATION DATE (DD/MM/YYYY): |
| | |

Important Please Note:

You have 1 month to register your Peak Scientific product from the date of shipment.

If you wish to defer installation of your generator you must notify Peak Scientific within 1 month of the shipment date. This can be done by emailing warranty@peakscientific.com Once registered the warranty will be honoured for a period of 12 months after the installation date.

For any generators that remain unregistered the warranty will begin from date of shipment.

Thank you on behalf of Peak Scientific.

Cleaning

Clean the outside of the Generator only using warm soapy water and a clean damp cloth. Ensure the cloth is thoroughly rung out to remove excess fluid prior to use.



Cleaning should only be undertaken with the power switched off and the power cord removed from the rear of the Generator.



CAUTION

Under no circumstances should any solvents or abrasive cleaning solutions be used as these can contain fumes that could be harmful to the Generator.

Peak Scientific UK

Fountain Crescent
Inchinnan Business Park
Inchinnan
PA4 9RE
Scotland, UK

Tel: +44 (0)141 812 8100

Fax: +44 (0)141 812 8200

Peak Scientific North America

19 Sterling Road
Suite #1
Billerica, MA 01862

USA

Tel: +1 866 647 1649

Fax: +1 978 608 9503

Peak Scientific India

202, Amsri Shamira
Old Lancer Line
Opp. St. Mary's Degree College
S.D. Road Secunderabad
500 025, India

Tel: +91 40 2780 0663

Fax: +91 40 2780 0663

Peak Scientific Africa

PO Box 478
Somerset Mall
7137

South Africa

Tel: +27 (0)2185 16542

Fax: +27 (0)8654 64473

Peak Scientific Germany

Herriotstrasse 1
60528 Frankfurt

Germany

Tel: +49 (0)69 677 33 490

Fax: +49 (0)69 677 33 200

Peak Scientific China

Room 606 Building 1
Lane 2277 Zuchongzhi Road
Pudong New Area
Shanghai

201203, China

Tel: +86 21 5079 1190

Fax: +86 21 5079 1191

Peak Scientific Mexico

Solon 352
Col. Los Morales Polanco
11530 Mexico, D.F.

Mexico

Tel: +1 866 647 1649

Fax: +1 978 608 9503

Peak Scientific Australia

PO Box 65
Belmont
Victoria 3216

Australia

Tel: +61 1300 965 352

Peak Scientific Taiwan

4F.-6, No.736
Zhongzheng Rd.
Zhonghe Dist.
New Taipei City

Tel: +886 2 8226 2383

Fax: +886 2 8226 9499

Peak Scientific Brazil

Peak Scientific Brasil
Av. Quieroz Filho
1700 - torre Sunny-Conj. 602
São Paulo SP Brasil

Tel: +1 866 647 1649

Peak Scientific Japan K.K.

2-7-56, 2F Fuji Building 28
Kita Aoyama, Minato-Ku
Tokyo, Japan
107-0061

Tel: +81 3-6864-0468

Peak Scientific Singapore

3 Science Park Drive
#03-14 The Franklin
Science Park Drive 1
Singapore, 118223

Tel: +65-6777 1966

Fax: +65-6777 1978