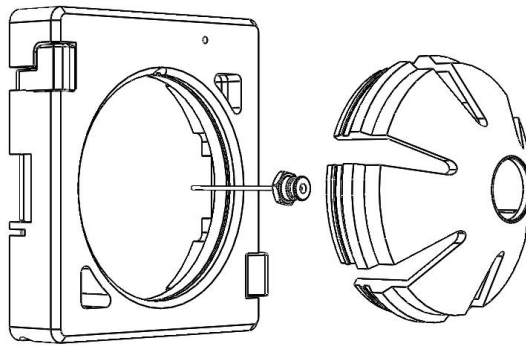


Installation Card

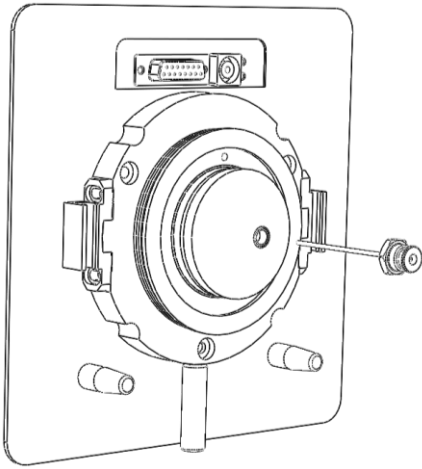
SICRIT® Interface TX2/TX3

for Thermo instruments

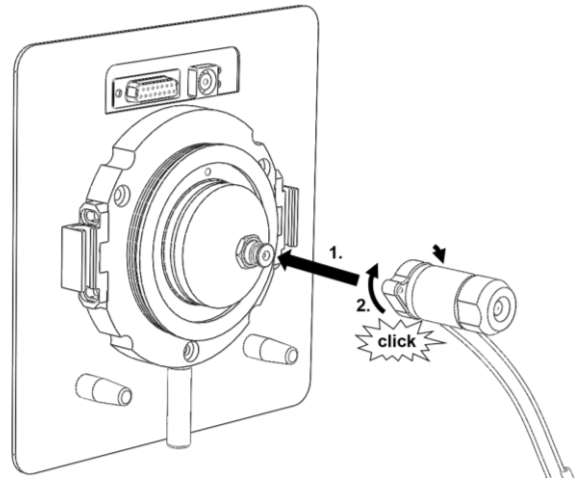


Release January 2020

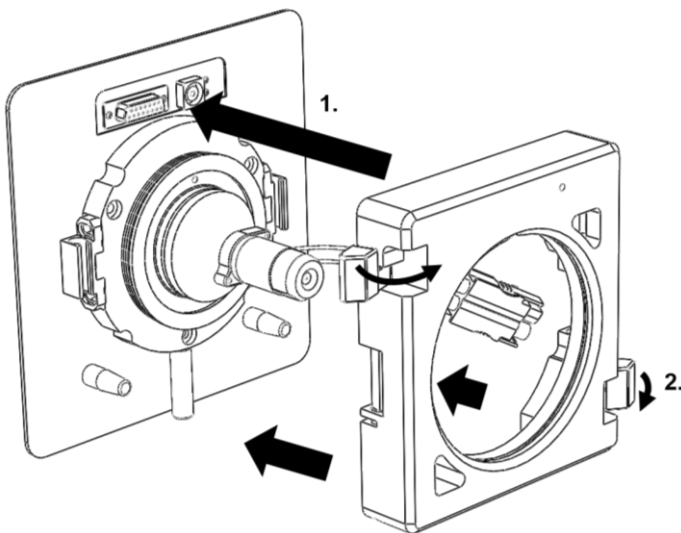
A)



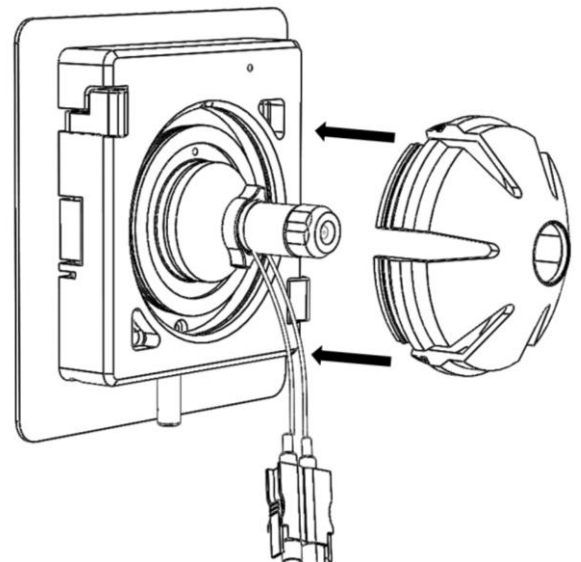
B)



C)



D)



E)

